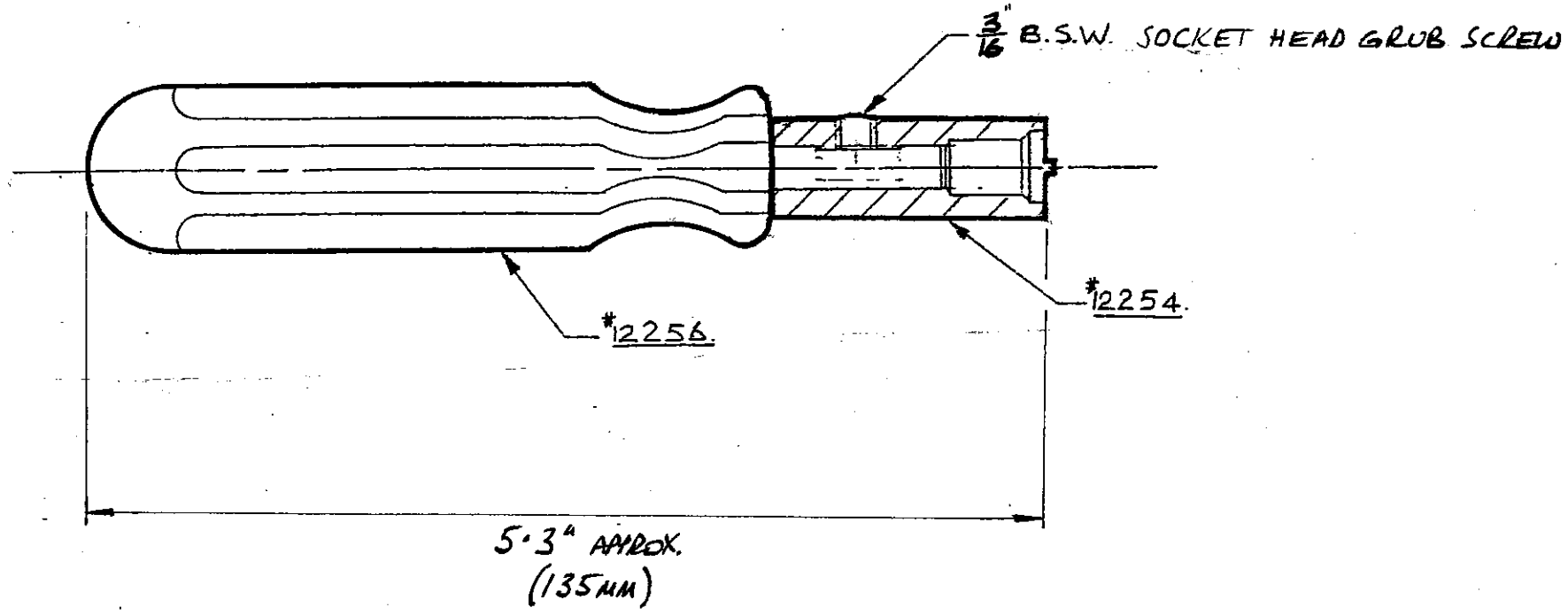


REV.	DATE	DETAILS	INIT.	NAME	DATE	LINK CONNECTORS P/L A GORDON GROUP COMPANY	
A	18/11/91	RELEASED	<i>[Signature]</i>	DRAWN KWK	18/11/91	TUBE SPANNER ~ PATCH PANELS.	
				CHECKED RWG	19.11.91		TITLE
				APPROVED		MATERIAL NOTED	DRAWING NO. C10-012
				MASTER SAMPLE LOCATION		FINISH NOTED.	ISSUE A
				GENERAL TOLERANCE UNLESS OTHERWISE SPECIFIED: Two Fig Decimal $\pm 0.010$ * Three Fig Decimal $\pm 0.005$ * Angles $\pm 1$ Degree			REF. ORGS. NOTED.
						FIRST USE C10-012	
							SCALE 1:1 <input checked="" type="checkbox"/> 2:1 <input type="checkbox"/> 4:1 <input type="checkbox"/> 5:1 <input type="checkbox"/> 10:1 <input type="checkbox"/>



COPYRIGHT RESERVED.  
 THIS DRAWING IS THE SOLE PROPERTY OF LINK CONNECTORS P/L AND IS RETURNABLE ON REQUEST. IS TO BE TREATED AS CONFIDENTIAL, NOT TO BE COMMUNICATED TO ANY OTHER PERSON WITHOUT THE WRITTEN CONSENT OF LINK CONNECTORS AND MAY BE USED FOR MANUFACTURE ONLY WHEN ACCOMPANIED BY A WRITTEN ORDER.