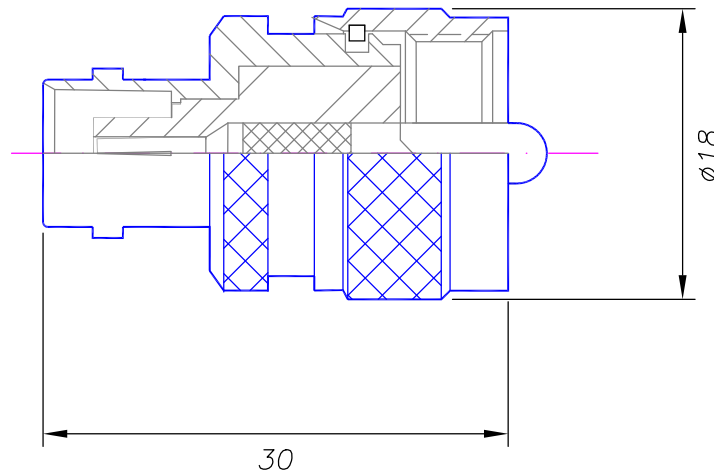


REV	DATE	REVISION DETAILS	INIT	IMPERIAL DIMENSIONS		LINK CONNECTORS Pty. Ltd.	A GORDON GROUP COMPANY
B	19.10.09	Redrawn in AutoCad.		NAME	DATE	TITLE	
				DRAWN	dgg	19.10.09	ADAPTOR - 'BNC' Jack to 'UHF' Plug
				APPR'VD			MATERIAL NOTED
				Metre bar			FINISH NOTED
TOLERANCE UNLESS OTHERWISE SPECIFIED: 2 fig decimal +/- .008" 3 fig decimal +/- .004" Angles +/- 1 deg							REF. DRGS. 20-824
							FIRST USE:
							SCALE 2 : 1

B70-009
DRAWING No. ISSUE B

Key	Part No.	DESCRIPTION	Qty.	Material	Finish
		INSULATOR	1	Acetal	White
		BODY ASSEMBLY	1	Brass	Nickel Plated
		PIN / CONTACT	1	Brass	Gold Plated

'BNC' INTERFACE TO MEET
MIL STD 348A DIMENSIONS



COPYRIGHT RESERVED: THIS DRAWING IS THE SOLE PROPERTY OF LINK CONNECTORS P/L & IS RETURNABLE ON REQUEST. IT IS TO BE TREATED AS CONFIDENTIAL, IS NOT TO BE COMMUNICATED TO ANY OTHER PERSON WITHOUT THE WRITTEN CONSENT OF LINK CONNECTORS & MAY BE USED FOR MANUFACTURE, ONLY WHEN ACCOMPANIED BY A WRITTEN ORDER.