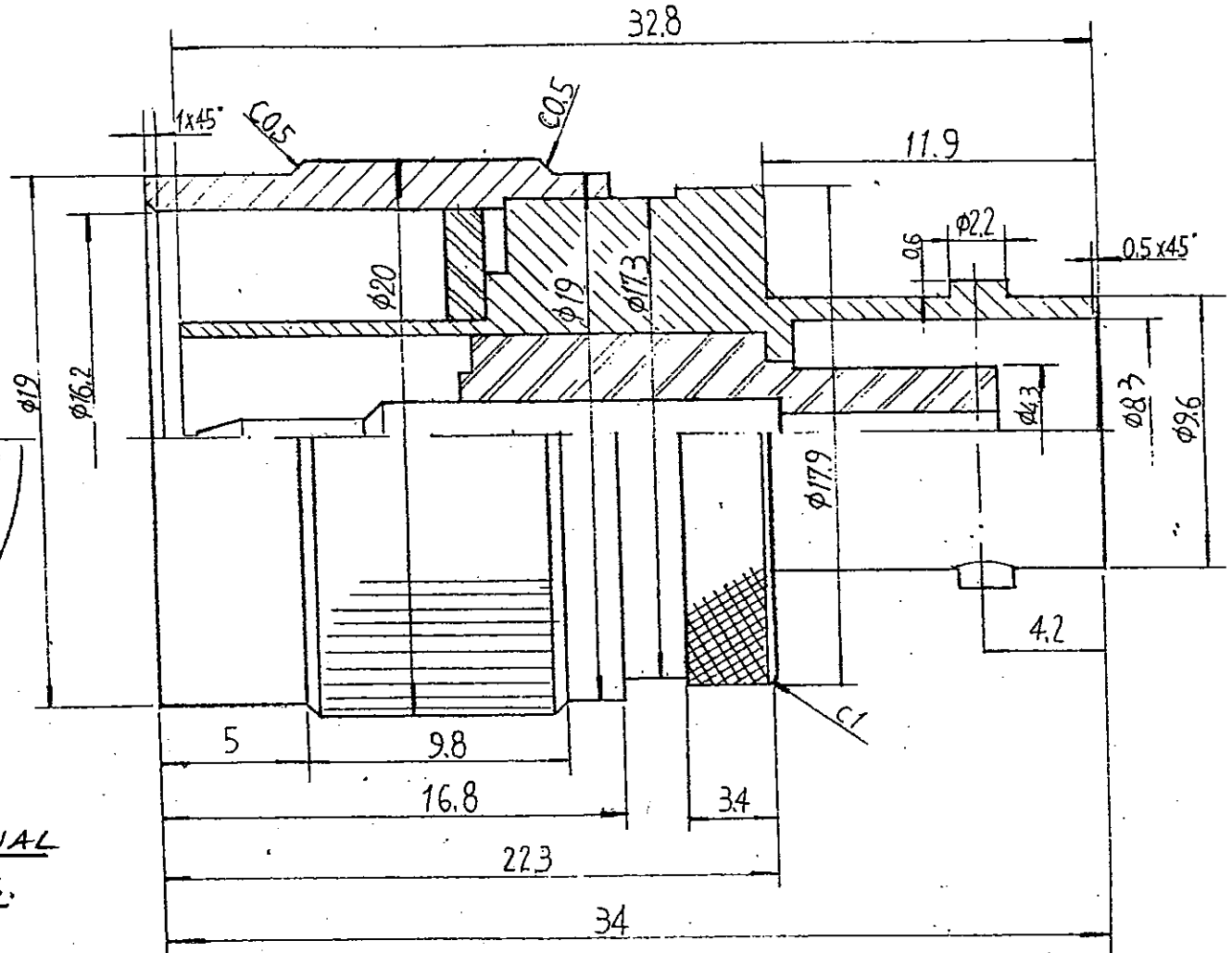
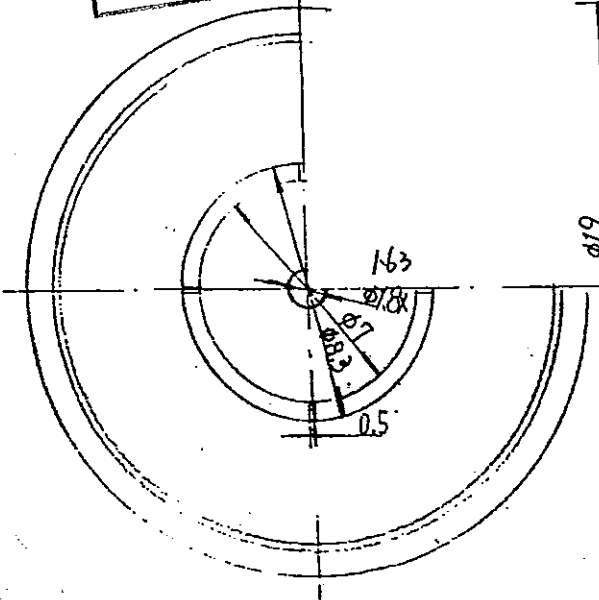


REV.	DATE	DETAILS	INIT.	NAME	DATE	LINK CONNECTORS P/L A GORDON GROUP COMPANY	METRIC	
A	10/3/92	RELEASED	[Signature]	DRAWN KWK	10-3-92	'N' PLUG ~ 'BNC' JACK BETWEEN SERIES ADAPTORS.	B70-008	
				CHECKED			DRAWING NO.	ISSUE A
				APPROVED BWG	10-3-92		REF. DRGS.	20-808
				MASTER SAMPLE LOCATION			FIRST USE	B70-008
GENERAL TOLERANCE UNLESS OTHERWISE SPECIFIED: Two Fig Decimal ±						One Fig Decimal ± 0,10	Angles ± 1 Degree	

INSULATOR - 'DELFIN' ACETAL

RELEASED FOR PRODUCTION
 AUTHORISED: [Signature]
 DATE: 11/3/92



INTERFACE TO MEET
MIL STD 348A DIMENSIONAL
LIMITS FOR 'N' & 'BNC' SERIES.

COPYRIGHT RESERVED: THIS DRAWING IS THE SOLE PROPERTY OF LINK CONNECTORS P/L AND IS RETURNABLE ON REQUEST, IS TO BE TREATED AS CONFIDENTIAL, NOT TO BE COMMUNICATED TO ANY OTHER PERSON WITHOUT THE WRITTEN CONSENT OF LINK CONNECTORS AND MAY BE USED FOR MANUFACTURE ONLY WHEN ACCOMPANIED BY A WRITTEN ORDER.