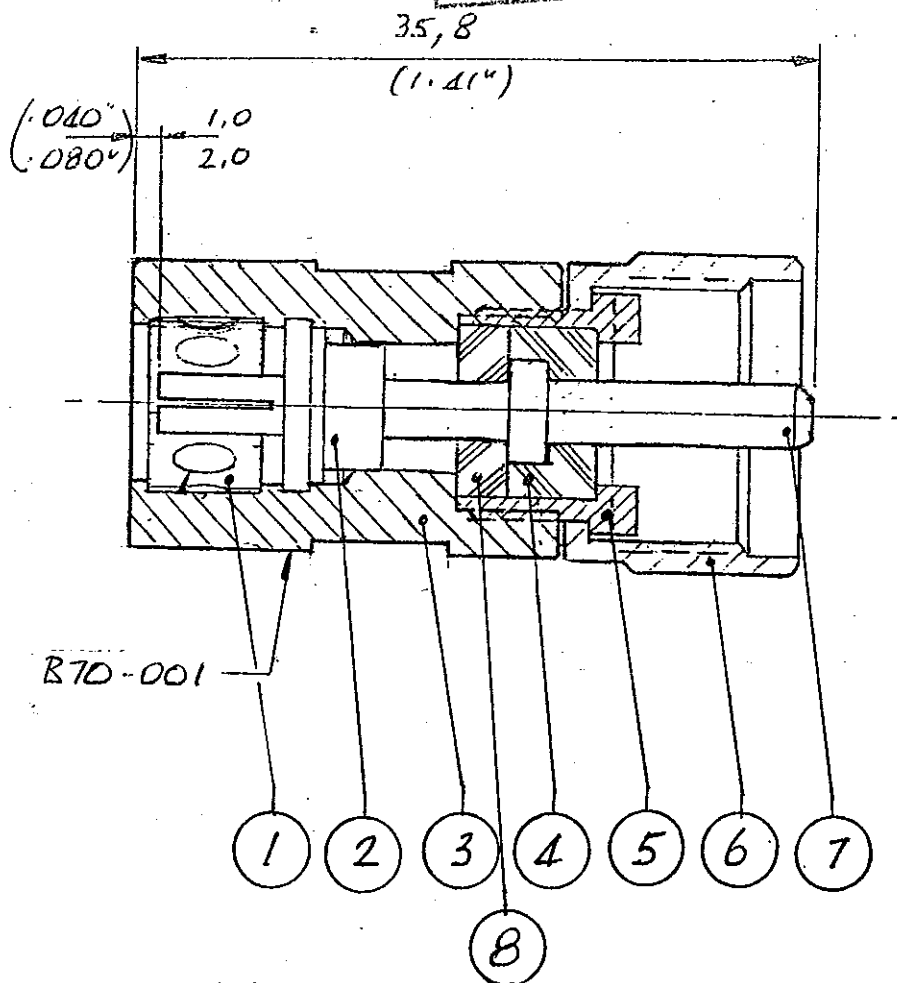


REV.	DATE	DETAILS	INIT.	NAME	DATE	LINK CONNECTORS P/L A GORDON GROUP COMPANY					
A	24/4/93	RELEASED	B6	DRAWN LNK	22-2-93	ADAPTOR - B75 SOCKET TO B80 (UHF) PLUG.					
B	30/3/00	Rev 2 was 1-19-92. Item 7 was 1225. Item B added. Note deleted.	B6	CHECKED		TITLE					
				APPROVED BUNG	24/4/93	MATERIAL NOTED					
				MASTER SAMPLE LOCATION		FINISH NOTED.					
GENERAL TOLERANCE UNLESS OTHERWISE SPECIFIED: Two Fig Decimal ± 0.010 * Three Fig Decimal ± 0.005 * Angles ± 1 Degree						SCALE	1:1	2:1	4:1	5:1	10:1

B70-001
DRAWING NO. ISSUE B
REF. DRGS. 11708 11672
FIRST USE

RELEASED FOR PRODUCTION
AUTHORISED: [Signature]
DATE: 30/3/00



BRAND-LINK B70-001

KEY	PART NO	DESCRIPTION	QTY.
1	11704-2	PRESSURE RING	1
2	12662	INSULATOR	1
3	11708-A	BODY	1
4	11722	INSULATOR	1
5	11721	INSULATOR HOUSING	1
6	11719	SWIVEL NUT	1
7	12661	PIN/CONTACT	1
8	11723	INSULATOR	1

COPYRIGHT RESERVED:
 THIS DRAWING IS THE SOLE PROPERTY OF LINK CONNECTORS P/L AND IS RETURNABLE ON REQUEST. IT IS TO BE TREATED AS CONFIDENTIAL, IS NOT TO BE COMMUNICATED TO ANY OTHER PERSON WITHOUT THE WRITTEN CONSENT OF LINK CONNECTORS AND MAY BE USED FOR MANUFACTURE ONLY WHEN ACCOMPANIED BY A WRITTEN ORDER.

3rd ANGLE