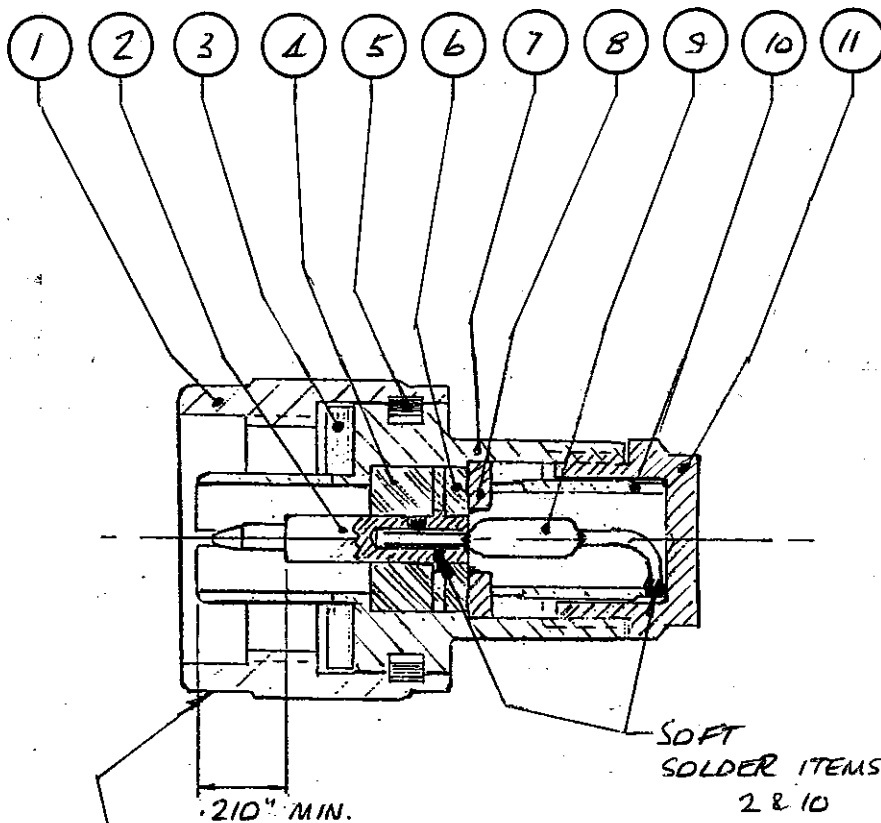


REV.	DATE	DETAILS	INIT.	NAME	DATE	LINK CONNECTORS P/L A GORDON GROUP COMPANY	
D	7/3/93	RELEASED / REDRAWN ITEM 2 WAS		DRAWN KAK	2.3.93	'N' RESISTOR PLUG - 51 OHM.	
D	"	11890-1. ITEM 4 2B WAS 11891-1		CHECKED			DRAWING NO. ISSUE D
D	4	ITEM 7 WAS 11923. 8 WAS 11892-5		APPROVED BWC	9/3/93	TITLE MATERIAL NOTED	
				MASTER SAMPLE LOCATION		REF. DRGS.	
					FINISH NOTED	FIRST USE	
GENERAL TOLERANCE UNLESS OTHERWISE SPECIFIED: Two Fig Decimal $\pm 0.010$ Three Fig Decimal $\pm 0.005$ Angles $\pm 1$ Degree						SCALE	1:1 2:1 3:1 4:1 5:1 10:1

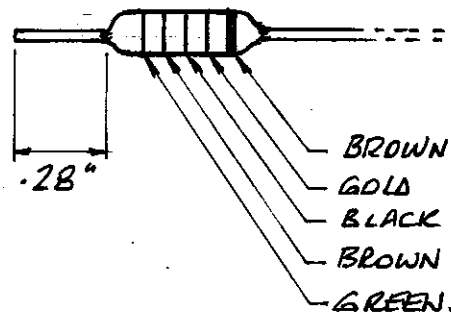
B60-004

TEST CONTINUITY AFTER ASSEMBLY.



KEY	PART NO	DESCRIPTION	QTY.
1	11888	SWIVEL NUT	1
2	12428-3	CAPTIVE PIN	1
3	11889	GASKET	1
4	12404	LARGE INSULATOR	1
5	11890	CIRCLIP	1
6	12405	SMALL INSULATOR	1
7	12422	BODY	1
8	12415	RETAINING RING	1
9	L212-51	51 $\Omega \pm 1\%$ 1/2 WATT RESISTOR	1
10	12055	RESISTOR FERRULE	1
11	12066	RETAINING NUT	1

ITEM 9 COLOUR CODE



BRAND - LINK B60-004 51 OHM

2nd ANGLE



COPYRIGHT RESERVED: THIS DRAWING IS THE SOLE PROPERTY OF LINK CONNECTORS P/L AND IS RETURNABLE ON REQUEST. IS TO BE TREATED AS CONFIDENTIAL, IS NOT TO BE COMMUNICATED TO ANY OTHER PERSON WITHOUT THE WRITTEN CONSENT OF LINK CONNECTORS AND MAY BE USED FOR MANUFACTURE ONLY WHEN ACCOMPANIED BY A WRITTEN ORDER.