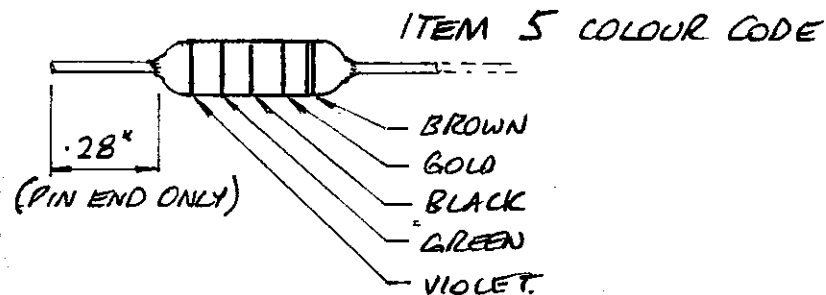


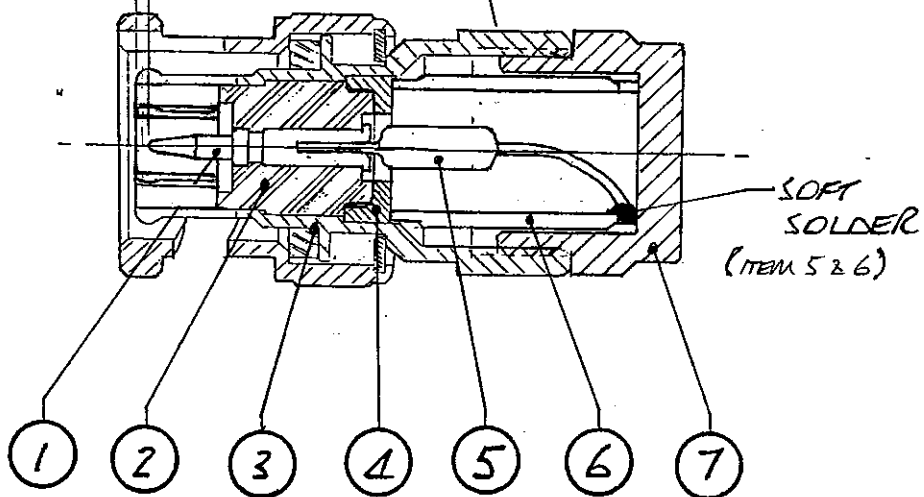
REV.	DATE	DETAILS	INIT.	NAME	DATE	LINK CONNECTORS P/L A GORDON GROUP COMPANY					
D	2/3/93	RELEASED/Redrawn. item 1 was		DRAWN KWIK	2-2-93	'BNC' RESISTOR PLUG 75 OHM					
D	1/9/93	11981-3. item 2 was 11972		CHECKED		TITLE					
F	3/6/95	item 2 was 12477		APPROVED PNG	9/3/93	MATERIAL NOTED					
F	11/4/96	item 1 was #12399-2		MASTER SAMPLE LOCATION		FINISH NOTED					
GENERAL TOLERANCE UNLESS OTHERWISE SPECIFIED: Two Fig Decimal $\pm 0.010$ Three Fig Decimal $\pm 0.005$ Angles $\pm 1$ Degree						SCALE	1:1	2:1	4:1	5:1	10:1

B60-002  
DRAWING NO. ISSUE F



0.026" MAX.  
0.003 MIN.

BRAND ~ LINK B60-002 75 OHM



KEY	PART NO	DESCRIPTION	QTY.
1	12399-4	PIN ~ CAPTIVE / CRIMP	1
2	12554	INSULATOR	1
3	259	'BNC' PLUG BODY ASSY.	1
4	11979-3	RETAINING RING	1
5	L212-75	75 OHM $\pm 1\%$ 1/2 WATT RESTR.	1
6	12055	RESISTOR FERRULE	1
7	12066	RETAINING NUT	1

### NOTES!

1. ASSEMBLE ITEM 2, 3 & 4 & BRAND
2. CRIMP ITEM 1 ONTO CUT END OF ITEM 5
3. PUSH ITEM 1 ASSY INTO ITEM 2 - ENSURE CORRECT POSITION.
4. PLACE ITEM 6 IN POSITION & TRIM WIRE OF ITEM 5 & SOLDER.
5. ASS. ITEM 7 & LOCK WITH SPANNERS.
6. TEST FOR CONTINUITY - BODY TO PIN.

3rd ANGLE



COPYRIGHT RESERVED: THIS DRAWING IS THE SOLE PROPERTY OF LINK CONNECTORS P/L AND IS RETURNABLE ON REQUEST, IS TO BE TREATED AS CONFIDENTIAL, IS NOT TO BE COMMUNICATED TO ANY OTHER PERSON WITHOUT THE WRITTEN CONSENT OF LINK CONNECTORS AND MAY BE USED FOR MANUFACTURE ONLY WHEN ACCOMPANIED BY A WRITTEN ORDER.