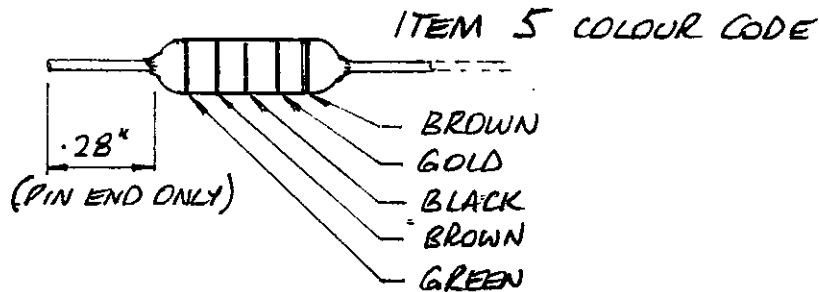
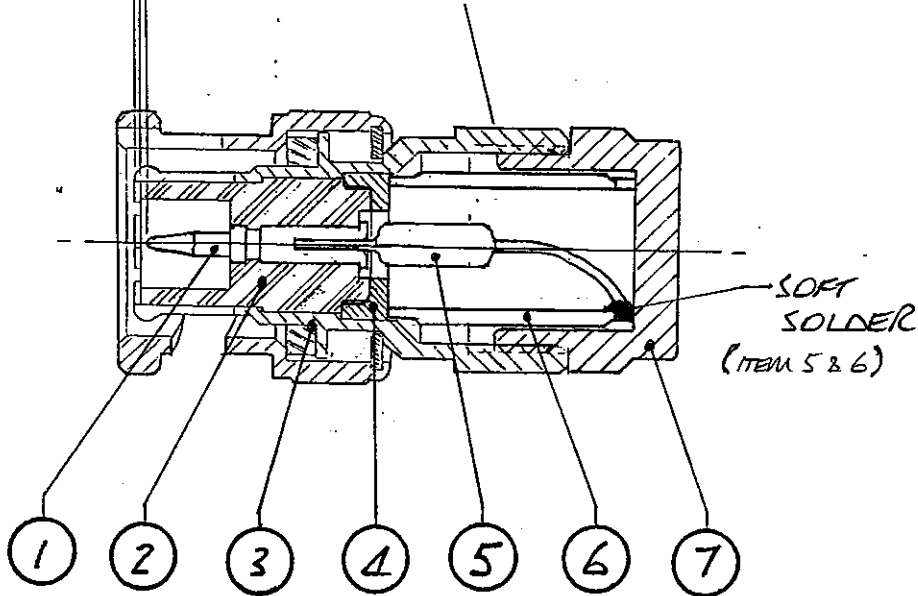


REV.	DATE	DETAILS	INIT.	NAME	DATE	LINK CONNECTORS P/L A GORDON GROUP COMPANY	
D	2-3-93	RELEASED / Redesign Item 1 was		DRAWN KWIK	2-2-93	'BNC' RESISTOR PLUG 51 OHM	
D	6	11981-3, 2 was 11972		CHECKED		TITLE	
E	11/4/96	Item 1 was 12399-2		APPROVED BWC	9/3/93	MATERIAL NOTED	
				MASTER SAMPLE LOCATION		FINISH NOTED	
GENERAL TOLERANCE UNLESS OTHERWISE SPECIFIED: Two Fig Decimal = 0.010" Three Fig Decimal = 0.005" Angles = 1 Degree						SCALE	1:1 2:1 4:1 5:1 10:1

B60-001
DRAWING NO. ISSUE E



KEY	PART NO	DESCRIPTION	QTY.
1	12399-4	PIN - CAPTIVE / CRIMP	1
2	12477	INSULATOR	1
3	259	'BNC' PLUG BODY ASSY.	1
4	11979-3	RETAINING RING	1
5	L212-51	51 OHM ± 1% 1/2 WATT RESTR.	1
6	12055	RESISTOR FERRULE	1
7	12066	RETAINING NUT	1



NOTES!

1. ASSEMBLE ITEM 2, 3 & 4 & BRAND
2. CRIMP ITEM 1 ONTO CUT END OF ITEM 5
3. PUSH ITEM 1 ASSY INTO ITEM 2 - ENSURE CORRECT POSITION.
4. PLACE ITEM 6 IN POSITION & TRIM WIRE OF ITEM 5 & SOLDER.
5. ASS. ITEM 7 & LOCK WITH SPANNERS.
6. TEST FOR CONTINUITY - BODY TO PIN.

3rd ANGLE

