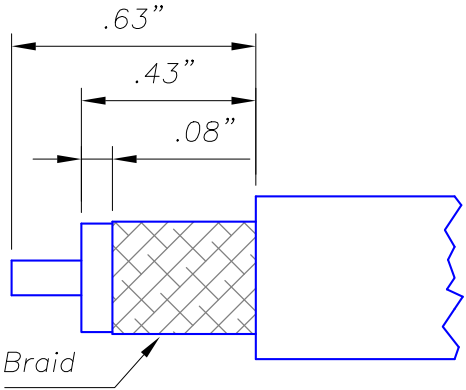
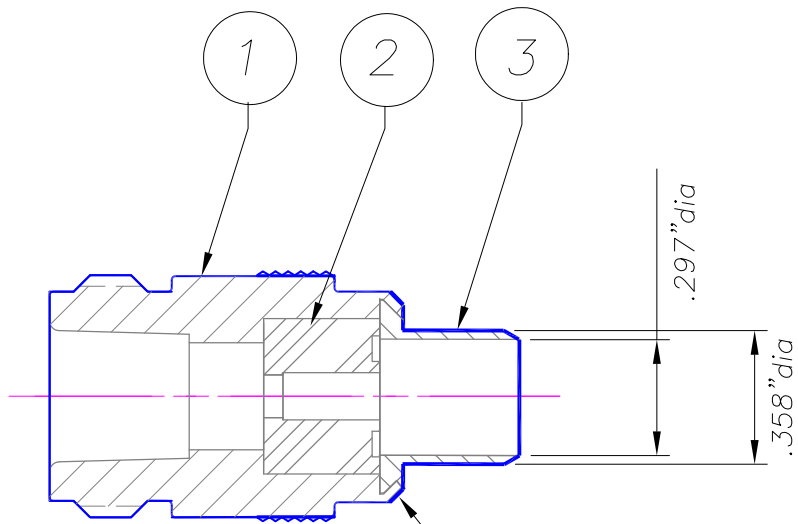


REV	DATE	REVISION DETAILS	INIT	IMPERIAL DIMENSIONS	GORDON TECHNOLOGIES Pty. Ltd.	A GORDON GROUP COMPANY	B30-134C
C	.08	Redrawn in AutoCad.		NAME DATE	TITLE		
				DRAWN kwk 15.5.08	'N' CABLE JACK - CRIMP TERMINATIONS		ISSUE C
				APPR'VD	MATERIAL NOTED		REF. DRGS. B30-042C
					FINISH NOTED		FIRST USE:
				TOLERANCE UNLESS OTHERWISE SPECIFIED: 2 fig decimal +/- .004" 3 fig decimal +/- .002" Angles +/- 1 deg			SCALE 2:1

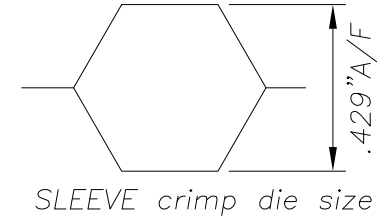
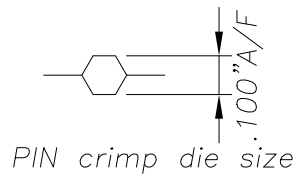
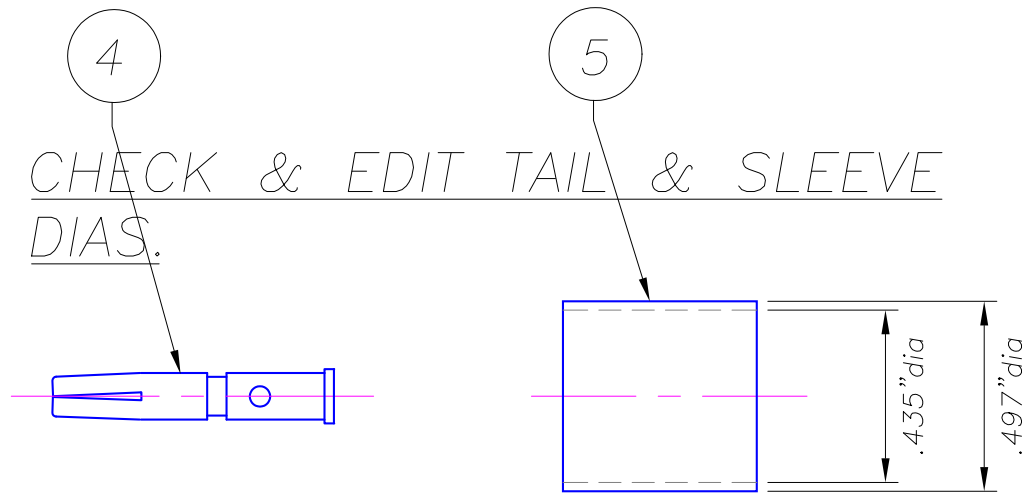


CABLE TRIMMING DETAILS
For RG8, RG213 & similar cables

Key	Part No.	DESCRIPTION	Qty.	Material	Finish
1	12394	BODY	1	Brass	Nickel Plate
2	12395	INSULATOR	1	P.T.F.E.	Natural
3	12084-8	CRIMP TAIL	1	Brass	Nickel Plate
4	12396-3	CONTACT (Captive)	1	Brass	Gold Plate
5	12090-8	CRIMP SLEEVE	1	Brass	Nickel Plate



FORM OVER ALL ROUND



COPYRIGHT RESERVED: THIS DRAWING IS THE SOLE PROPERTY OF LINK CONNECTORS P/L & IS RETURNABLE ON REQUEST. IT IS TO BE TREATED AS CONFIDENTIAL, IS NOT TO BE COMMUNICATED TO ANY OTHER PERSON WITHOUT THE WRITTEN CONSENT OF LINK CONNECTORS & MAY BE USED FOR MANUFACTURE, ONLY WHEN ACCOMPANIED BY A WRITTEN ORDER.