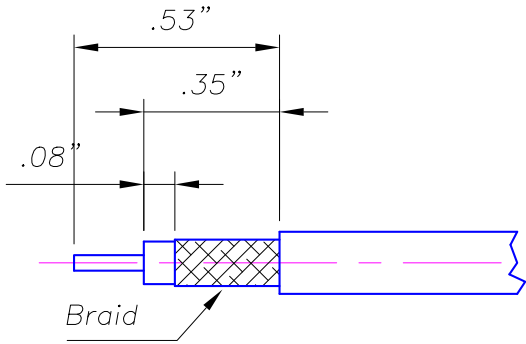
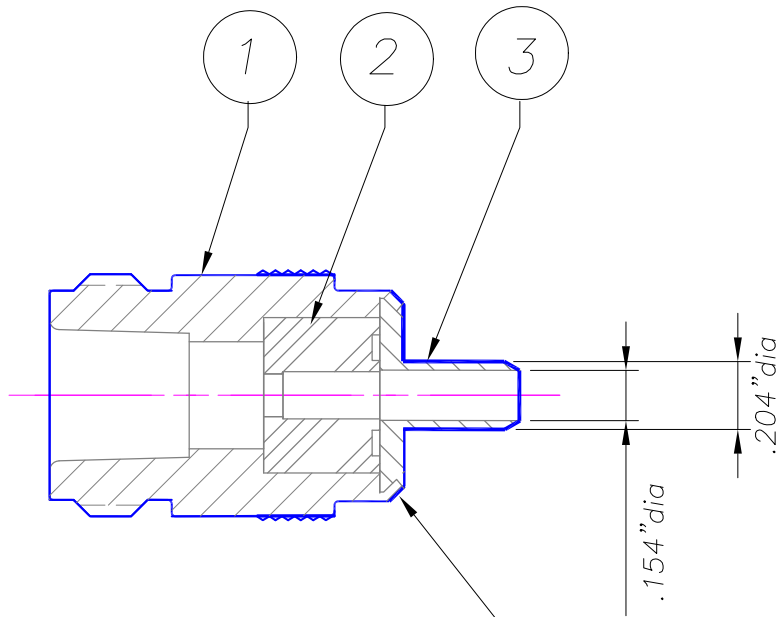


REV	DATE	REVISION DETAILS	INIT	IMPERIAL DIMENSIONS		GORDON TECHNOLOGIES Pty. Ltd. A GORDON GROUP COMPANY		B30-035C	
B	.08	Redrawn in AutoCad.		NAME	DATE	TITLE		DRAWING No.	ISSUE B
				DRAWN	kwk 15.5.08	'N' CABLE JACK - CRIMP TERMINATIONS		REF. DRGS. B30-035C	
				APPR'VD		MATERIAL NOTED		FIRST USE:	
						FINISH NOTED		SCALE 2:1	
TOLERANCE UNLESS OTHERWISE SPECIFIED: 2 fig decimal +/- .004" 3 fig decimal +/- .002" Angles +/- 1 deg									

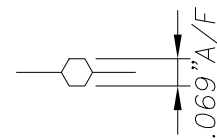
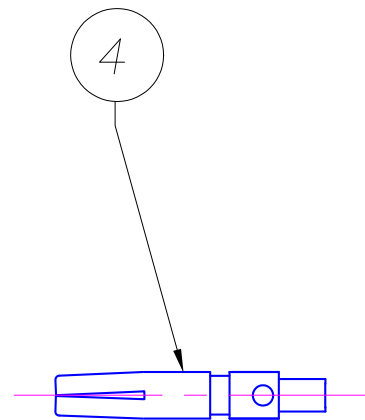


CABLE TRIMMING DETAILS
For RG59 & similar cables

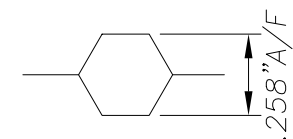
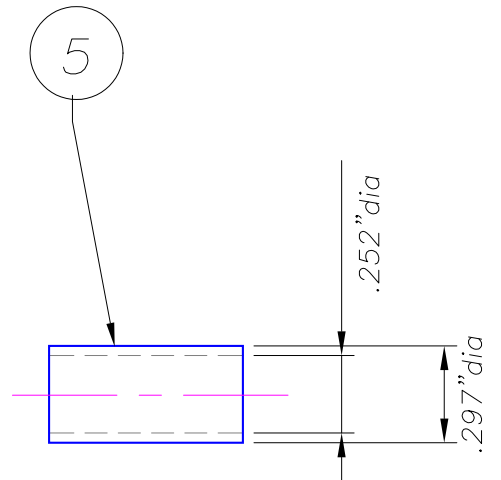
Key	Part No.	DESCRIPTION	Qty.	Material	Finish
1	12394	BODY	1	Brass	Nickel Plate
2	12395	INSULATOR	1	P.T.F.E.	Natural
3	12084-19	CRIMP TAIL	1	Brass	Nickel Plate
4	12396-2	CONTACT (Captive)	1	Brass	Gold Plate
5	12090-4	CRIMP SLEEVE	1	Brass	Nickel Plate



FORM OVER ALL ROUND



PIN crimp die size



SLEEVE crimp die size

COPYRIGHT RESERVED: THIS DRAWING IS THE SOLE PROPERTY OF LINK CONNECTORS P/L & IS RETURNABLE ON REQUEST. IT IS TO BE TREATED AS CONFIDENTIAL, IS NOT TO BE COMMUNICATED TO ANY OTHER PERSON WITHOUT THE WRITTEN CONSENT OF LINK CONNECTORS & MAY BE USED FOR MANUFACTURE, ONLY WHEN ACCOMPANIED BY A WRITTEN ORDER.