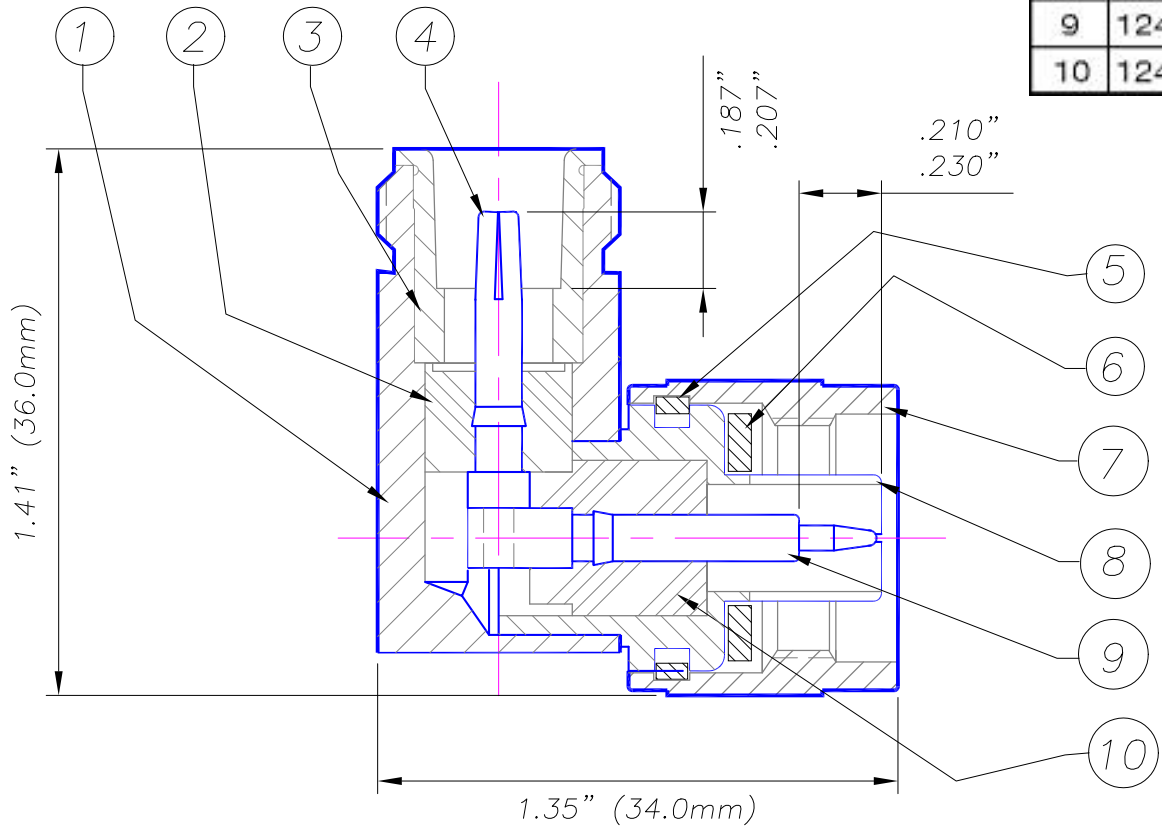


| | | | | | | | |
|-----|------|---------------------|------|--|---|------------------------|------------------|
| REV | DATE | REVISION DETAILS | INIT | IMPERIAL DIMENSIONS | GORDON TECHNOLOGIES Pty. Ltd. | A GORDON GROUP COMPANY | B30-020 |
| F | .08 | Redrawn in AutoCad. | | NAME DATE | TITLE 'N' Rt.Angle CABLE JACK/PLUG ADAPTOR | | |
| | | | | DRAWN kwk | 15.5.08 | | ISSUE F |
| | | | | APPR'VD | | MATERIAL NOTED | REF. DRGS. SK727 |
| | | | | | | FINISH NOTED | FIRST USE: |
| | | | | TOLERANCE UNLESS OTHERWISE SPECIFIED: 2 fig decimal +/- .004" 3 fig decimal +/- .002" Angles +/- 1 deg | | | SCALE 2:1 |

| Key | Part No. | DESCRIPTION | Qty. | Material | Finish |
|-----|----------|-----------------|------|----------------|--------------|
| 1 | 12494 | BODY - Jack end | 1 | Brass | Nickel Plate |
| 2 | 12020 | INSULATOR | 1 | P.T.F.E. | Silver Plate |
| 3 | 11905 | BODY - INNER | 1 | Brass | Nickel Plate |
| 4 | 12498 | CONTACT | 1 | Be Cu | Gold Plate |
| 5 | 11890 | CIRCLIP | 1 | Brass | Natural |
| 6 | 11889 | GASKET | 1 | Silicon Rubber | Red |
| 7 | 11888 | SWIVEL NUT | 1 | Brass | Nickel Plate |
| 8 | 12495 | BODY - Plug end | 1 | Brass | Nickel Plate |
| 9 | 12497 | PIN | 1 | Brass | Gold Plate |
| 10 | 12496 | INSULATOR | 1 | P.T.F.E. | Natural |



ASSEMBLY NOTES!
 During assembly of this connector, take all due care to ensure Pins & Contacts are positioned correctly in the Insulators & then in the Body. Use gauges to test for Interface at & during each stage - refer to the Method Sheet for full details.

COPYRIGHT RESERVED: THIS DRAWING IS THE SOLE PROPERTY OF LINK CONNECTORS P/L & IS RETURNABLE ON REQUEST. IT IS TO BE TREATED AS CONFIDENTIAL, IS NOT TO BE COMMUNICATED TO ANY OTHER PERSON WITHOUT THE WRITTEN CONSENT OF LINK CONNECTORS & MAY BE USED FOR MANUFACTURE, ONLY WHEN ACCOMPANIED BY A WRITTEN ORDER.