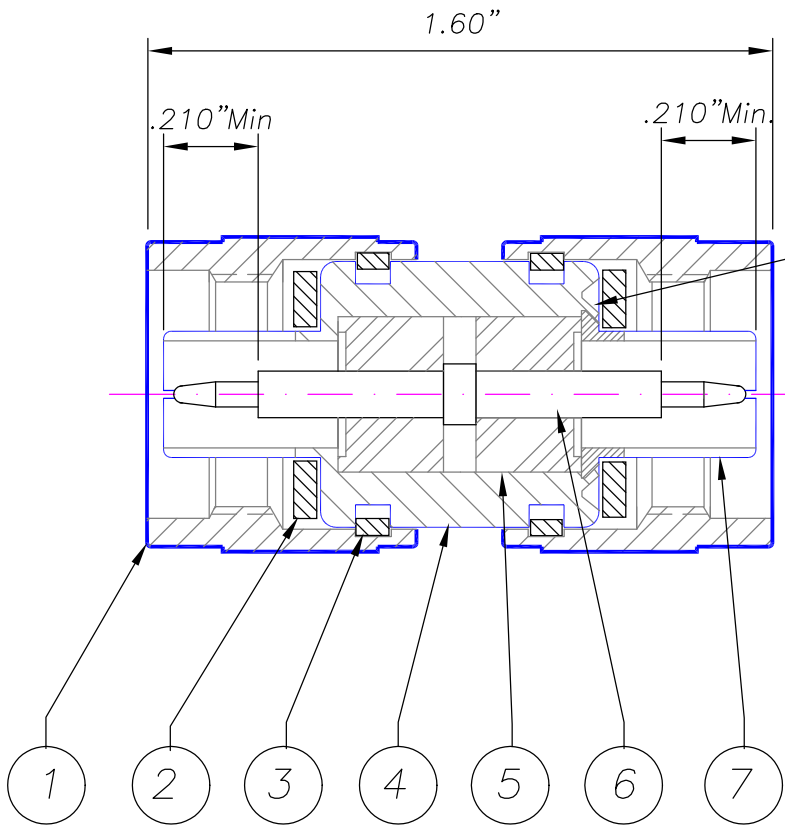


REV	DATE	REVISION DETAILS	INIT	IMPERIAL DIMENSIONS	LINK CONNECTORS Pty. Ltd.	A GORDON GROUP COMPANY
D	10.6.08	Redrawn in AutoCad.		NAME	TITLE 'N' PLUG/PLUG ADAPTOR	
				DATE	DRAWING No. B30-019	
				DRAWN	ISSUE D	
				APP'R'VD	MATERIAL NOTED	
					FINISH NOTED	
				TOLERANCE UNLESS OTHERWISE SPECIFIED: 2 fig decimal +/- .004" 3 fig decimal +/- .002" Angles +/- 1 deg		
					REF. DRGS.	
					FIRST USE:	
					SCALE 2:1	

Key	Part No.	DESCRIPTION	Qty.	Material	Finish
1	11888	SWIVEL NUT	2	Brass	Nickel Plate
2	11889	GASKET	2	Silicon Rubber	Red
3	11890	CIRCLIP	2	Brass	Natural
4	12025	BODY	1	Brass	Nickel Plate
5	12020	INSULATOR	2	P.T.F.E.	Natural
6	12419	PIN - Double Ended	1	Brass	Gold Plated
7	12216	OUTER CONTACT	1	Brass	Silver Plate



FORM OVER ALL AROUND TO SECURE ITEM 7.

COPYRIGHT RESERVED: THIS DRAWING IS THE SOLE PROPERTY OF LINK CONNECTORS P/L & IS RETURNABLE ON REQUEST. IT IS TO BE TREATED AS CONFIDENTIAL, IS NOT TO BE COMMUNICATED TO ANY OTHER PERSON WITHOUT THE WRITTEN CONSENT OF LINK CONNECTORS & MAY BE USED FOR MANUFACTURE, ONLY WHEN ACCOMPANIED BY A WRITTEN ORDER.