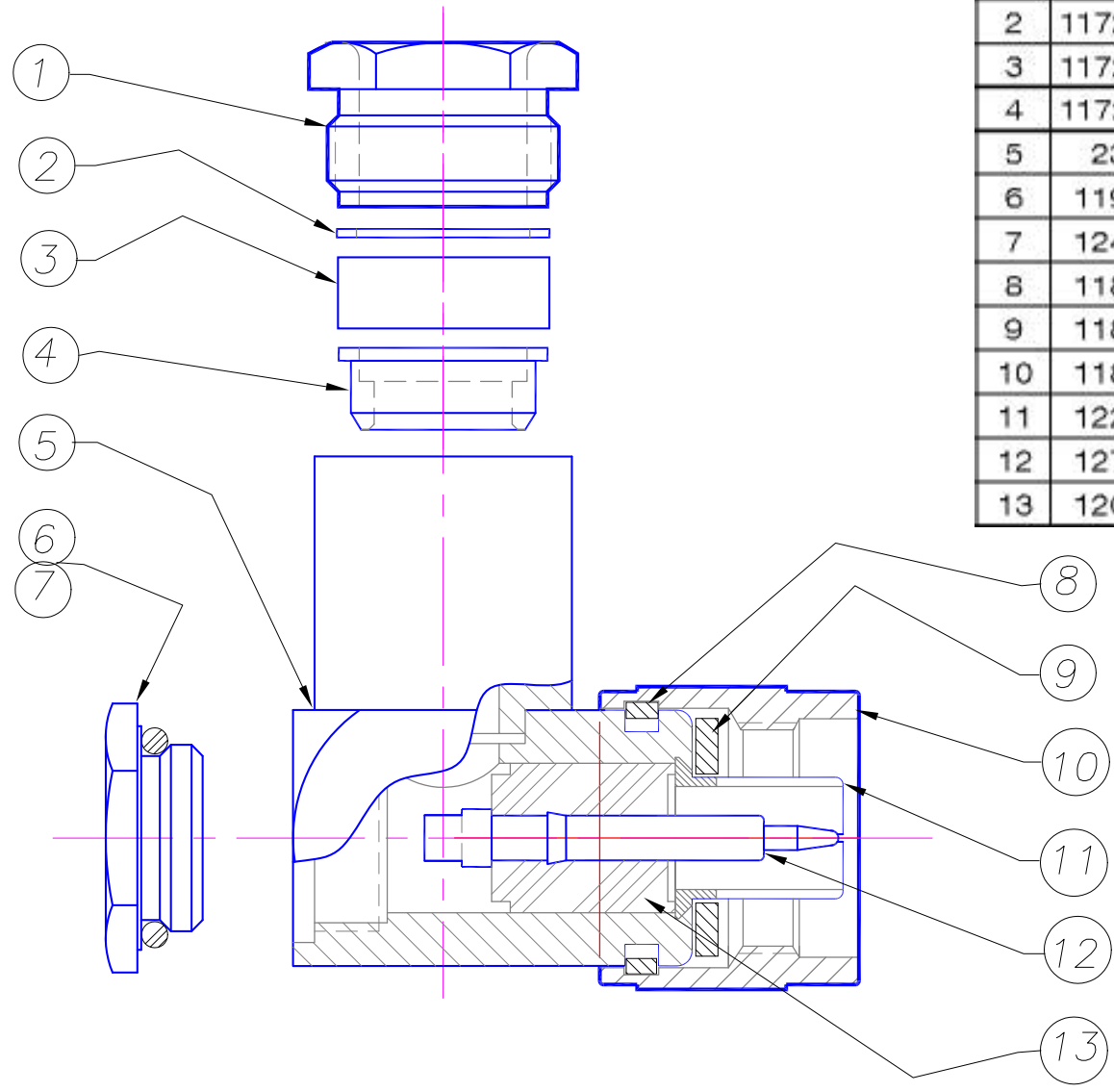


REV	DATE	REVISION DETAILS	INIT	IMPERIAL DIMENSIONS	GORDON TECHNOLOGIES Pty. Ltd.	A GORDON GROUP COMPANY
K	.08	Redrawn in AutoCad.		NAME	TITLE	
				DATE	'N' Rt.Angle CABLE PLUG Large Cables	
				DRAWN	kwk	5.5.08
				APPR'VD		
					MATERIAL	NOTED
					FINISH	NOTED
				TOLERANCE UNLESS OTHERWISE SPECIFIED: 2 fig decimal +/- .004" 3 fig decimal +/- .002" Angles +/- 1 deg		
					DRAWING No.	B30-017
					ISSUE	K
					REF. DRGS.	
					FIRST USE:	
					SCALE	2:1

FOR RG8 CABLES

Key	Part No.	DESCRIPTION	Qty.	Material	Finish
1	11727-3	CLAMP NUT	1	Brass	Nickel Plate
2	11726-1	WASHER	1	Brass	Nickel Plate
3	11728-1	SEALING RING	1	Neoprene	Black
4	11725-3	COLLET	1	Brass	Nickel Plate
5	237	BODY ASSEMBLY	1	Brass	Nickel Plate
6	11938	HEXAGON PLUG	1	Brass	Nickel Plate
7	12421	O' RING #BS012	1	Nitrile	Black
8	11890	CIRCLIP	1	Brass	Natural
9	11889	GASKET	1	Silicon Rubber	Red
10	11888	SWIVEL NUT	1	Brass	Nickel Plate
11	12216	OUTER CONTACT	1	Brass	Silver Plate
12	12731	CAPTIVE PIN	1	Brass	Gold Plate
13	12050	INSULATOR	1	P.T.F.E.	Natural



COPYRIGHT RESERVED: THIS DRAWING IS THE SOLE PROPERTY OF LINK CONNECTORS P/L & IS RETURNABLE ON REQUEST. IT IS TO BE TREATED AS CONFIDENTIAL, IS NOT TO BE COMMUNICATED TO ANY OTHER PERSON WITHOUT THE WRITTEN CONSENT OF LINK CONNECTORS & MAY BE USED FOR MANUFACTURE, ONLY WHEN ACCOMPANIED BY A WRITTEN ORDER.