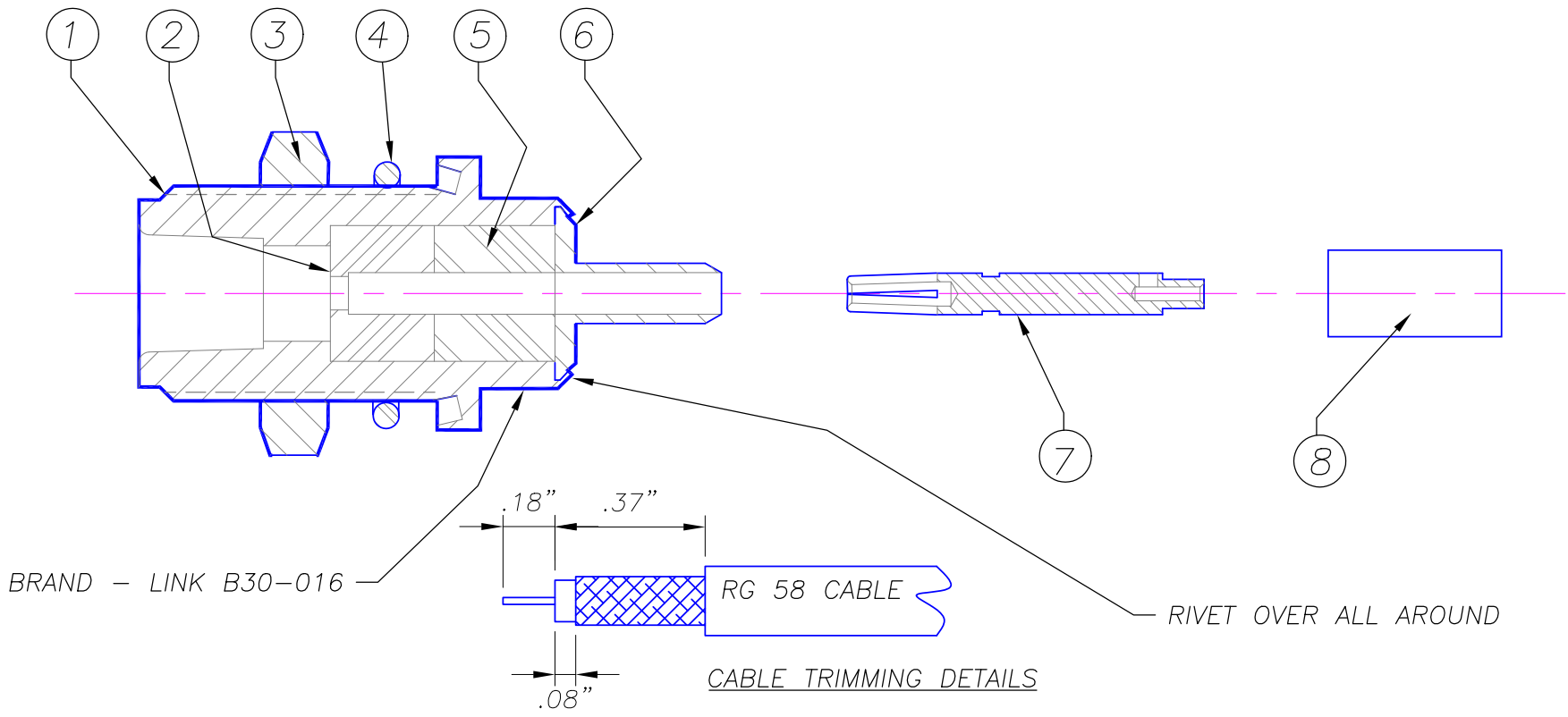


REV	DATE	REVISION DETAILS	INIT	IMPERIAL DIMENSIONS		GORDON TECHNOLOGIES Pty. Ltd. A GORDON GROUP COMPANY		B30-016	DRAWING No. ISSUE C
B	7.5.07	Redrawn/AutoCad. Item 3 was 11012-5.		NAME	DATE	TITLE			
C	24.2.10	Item 3 was 11012-15.		DRAWN	kwk	7.5.07	'N' Series PANEL Mnt. CRIMP JACK		REF. DRGS. SK695
				APPR'VD			MATERIAL NOTED		FIRST USE:
							FINISH NOTED		SCALE 2:1
TOLERANCE UNLESS OTHERWISE SPECIFIED: 2 fig decimal +/- .004" 3 fig decimal +/- .002" Angles +/- 1 deg									

Key	Part No.	DESCRIPTION	Qty.	Material	Finish
1	12469	BODY	1	Brass	Nickel Plate
2	12395	INSULATOR	1	PTFE	Natural
3	11012-5	LOCK NUT	1	Brass	Nickel Plate
4	12472	O' RING (BS016)	1	Neoprene	Black
5	12471	INSULATOR	1	PTFE	Natural
6	12084-18	CRIMP TAIL	1	Brass	Nickel Plate
7	12470	CONTACT	1	Brass	Gold Plate
8	12090-1	CRIMP SLEEVE	1	Brass	Nickel Plate

SUITED for MOUNTING HOLE #12



COPYRIGHT RESERVED: THIS DRAWING IS THE SOLE PROPERTY OF LINK CONNECTORS P/L & IS RETURNABLE ON REQUEST. IT IS TO BE TREATED AS CONFIDENTIAL, IS NOT TO BE COMMUNICATED TO ANY OTHER PERSON WITHOUT THE WRITTEN CONSENT OF LINK CONNECTORS & MAY BE USED FOR MANUFACTURE, ONLY WHEN ACCOMPANIED BY A WRITTEN ORDER.