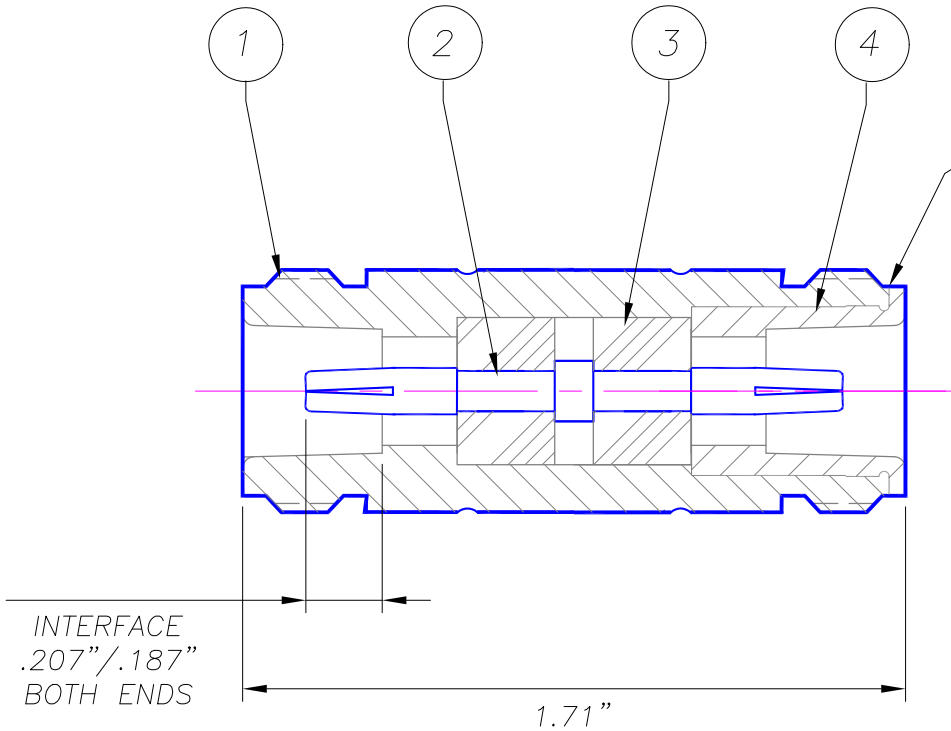


REV	DATE	REVISION DETAILS	INIT	IMPERIAL DIMENSIONS		GORDON TECHNOLOGIES Pty. Ltd.	A GORDON GROUP COMPANY	B30-003	DRAWING No.	ISSUE F
F	.08	Redrawn in AutoCad.		NAME	DATE	TITLE				
				DRAWN	kwk	13.5.08	'N' Straight ADAPTOR J/J		REF. DRGS.	
				APPR'VD			MATERIAL NOTED		FIRST USE:	
							FINISH NOTED		SCALE 2:1	
TOLERANCE UNLESS OTHERWISE SPECIFIED: 2 fig decimal +/- .004" 3 fig decimal +/- .002" Angles +/- 1 deg										

Key	Part No	Description	Qty	Material	Finish
1	11904	BODY	1	Brass	Nickel Plate
2	12412	CONTACT - D/ENDED	1	Brass	Gold plate
3	11891-2	INSULATOR	2	P.T.F.E.	Natural
4	11905	BODY - INSERT	1	Brass	Nickel Plate



.005" MAXIMUM GAP

NOTE!  
ASSEMBLE ITEMS 1, 2 & 3 TOGETHER – CONTROL THE POSITION OF THE CONTACT & INSULATOR DURING ASSEMBLY.

ITEM 4 – LIGHT PRESS FIT INTO ITEM 1 TO SECURE THE ASSEMBLY.

COPYRIGHT RESERVED: THIS DRAWING IS THE SOLE PROPERTY OF LINK CONNECTORS P/L & IS RETURNABLE ON REQUEST. IT IS TO BE TREATED AS CONFIDENTIAL, IS NOT TO BE COMMUNICATED TO ANY OTHER PERSON WITHOUT THE WRITTEN CONSENT OF LINK CONNECTORS & MAY BE USED FOR MANUFACTURE, ONLY WHEN ACCOMPANIED BY A WRITTEN ORDER.