

REV	DATE	REVISION DETAILS	INIT	IMPERIAL DIMENSIONS		LINK CONNECTORS Pty. Ltd.	A GORDON GROUP COMPANY
E		Redrawn. #11901 was #C214 sub-assy.		NAME	DATE	TITLE	
				DRAWN	kwk	15/6/99	'N' Flange mount Jack Receptacle
				APPR'VD			MATERIAL Noted
					Metre bar		FINISH Noted
				TOLERANCE UNLESS OTHERWISE SPECIFIED: 2 fig decimal +/- .008" 3 fig decimal +/- .004" Angles +/- 1 deg			

B30-002
DRAWING No. ISSUE E
REF. DRGS.
FIRST USE:
SCALE 2:1

NOTE! After assembly, an axial force of 7kg. applied to the contact in both directions will not move the contact out of the interface specification.

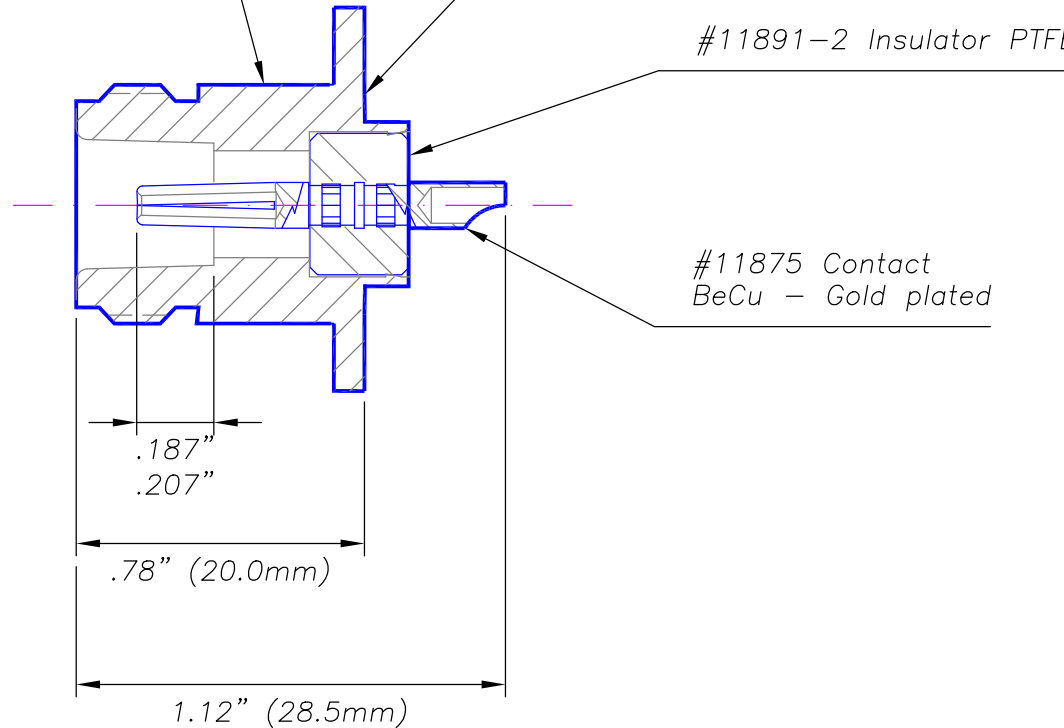
#11901 Body, (Flange No. 5)
Brass - Nickel Plated.

Brand - LINK B30-002

#11891-2 Insulator PTFE

'N' series interface to
MIL-STD-348 dimensions.

#11875 Contact
BeCu - Gold plated



COPYRIGHT RESERVED: THIS DRAWING IS THE SOLE PROPERTY OF LINK CONNECTORS P/L & IS RETURNABLE ON REQUEST. IT IS TO BE TREATED AS CONFIDENTIAL, IS NOT TO BE COMMUNICATED TO ANY OTHER PERSON WITHOUT THE WRITTEN CONSENT OF LINK CONNECTORS & MAY BE USED FOR MANUFACTURE, ONLY WHEN ACCOMPANIED BY A WRITTEN ORDER.