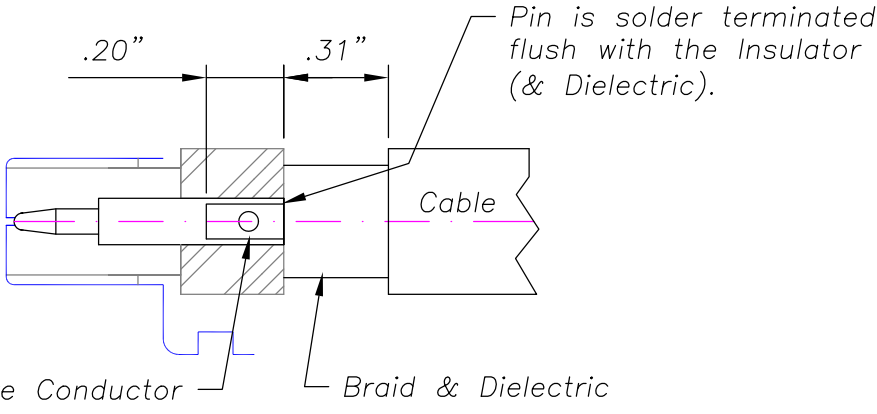


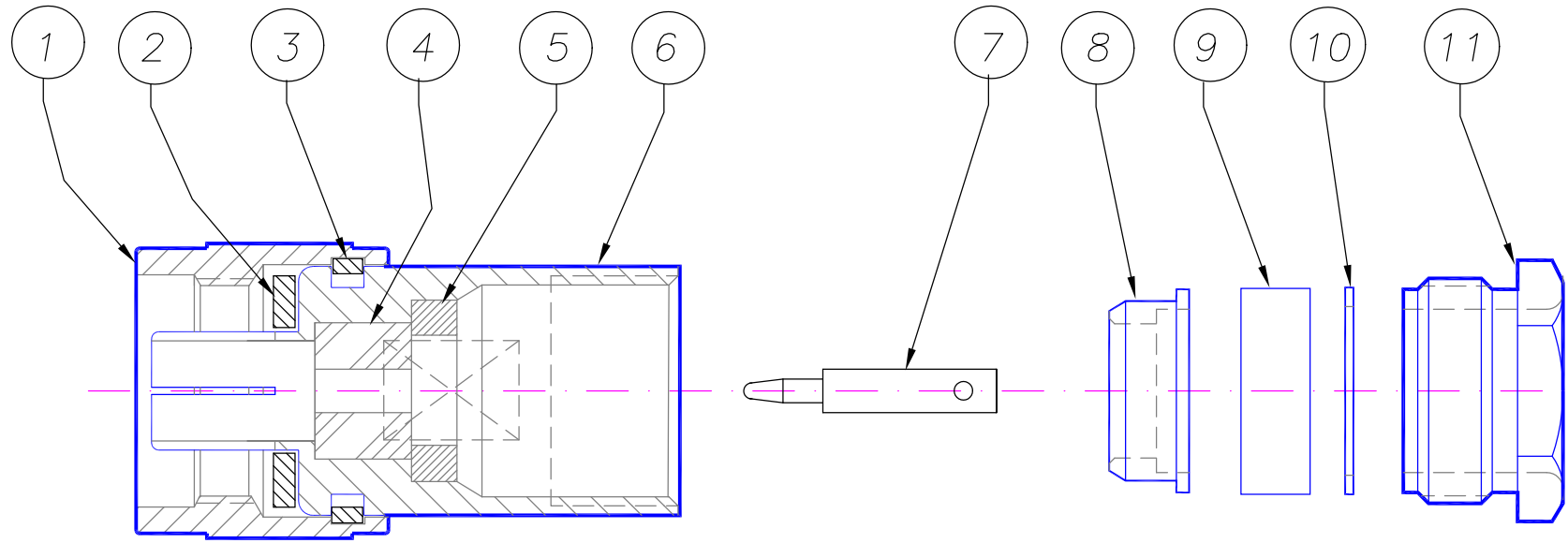
REV	DATE	REVISION DETAILS	INIT	IMPERIAL DIMENSIONS		GORDON TECHNOLOGIES Pty. Ltd. A GORDON GROUP COMPANY		
E	.08	Redrawn in AutoCad.		NAME	DATE	TITLE		
				DRAWN	kwk	6.5.08	'N' CABLE PLUG - Large Cables	
				APPR'VD			MATERIAL NOTED	
							FINISH NOTED	
TOLERANCE UNLESS OTHERWISE SPECIFIED: 2 fig decimal +/- .004" 3 fig decimal +/- .002" Angles +/- 1 deg							DRAWING No.	ISSUE E
							REF. DRGS.	
							FIRST USE:	

B30-001



SUITABLE FOR CABLES - RG8, RG213, RG214, ETHERNET.

Key	Part No.	DESCRIPTION	Qty.	Material	Finish
1	11888	SWIVEL NUT	1	Brass	Nickel Plate
2	11889	GASKET	1	Silicon Rubber	Red
3	11890	CIRCLIP	1	Brass	Natural
4	11891-1	INSULATOR	1	P.T.F.E.	Natural
5	11892-4	INS. RETAINING RING	1	Brass	Nickel Plate
6	11893	BODY	1	Brass	Nickel Plate
7	11894-3	PIN	1	Brass	Gold Plated
8	11725-3	COLLET	1	Brass	Nickel Plate
9	11728-1	SEALING RING	1	Neoprene	Black
10	11726-1	WASHER	1	Brass	Nickel Plate
11	11727-3	CLAMP NUT	1	Brass	Nickel Plate



COPYRIGHT RESERVED: THIS DRAWING IS THE SOLE PROPERTY OF LINK CONNECTORS P/L & IS RETURNABLE ON REQUEST. IT IS TO BE TREATED AS CONFIDENTIAL, IS NOT TO BE COMMUNICATED TO ANY OTHER PERSON WITHOUT THE WRITTEN CONSENT OF LINK CONNECTORS & MAY BE USED FOR MANUFACTURE, ONLY WHEN ACCOMPANIED BY A WRITTEN ORDER.