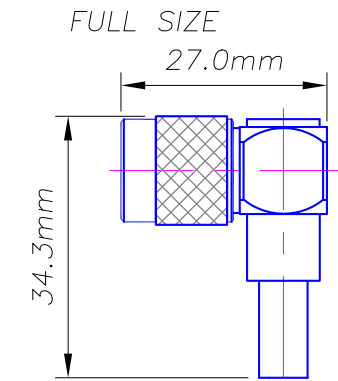
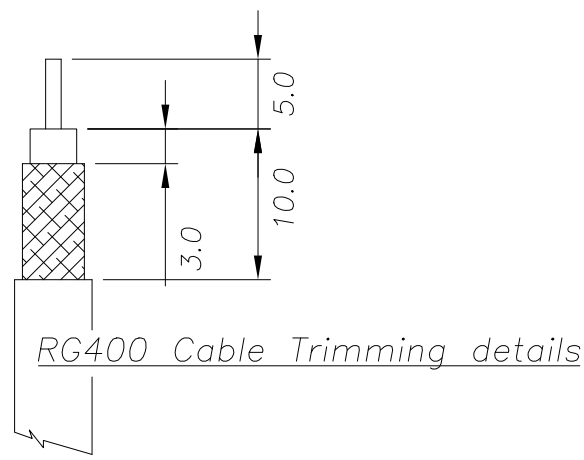
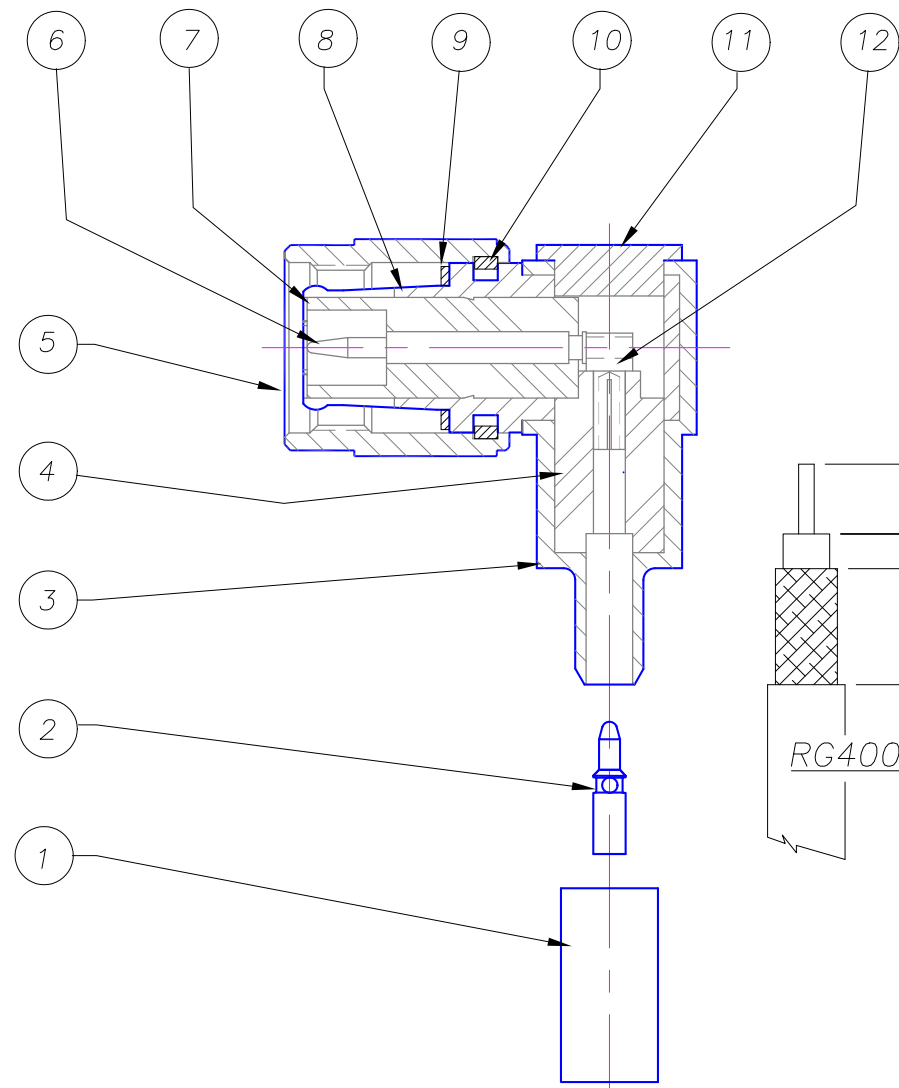


REV	DATE	REVISION DETAILS	INIT	IMPERIAL DIMENSIONS		GORDON TECHNOLOGIES Pty. Ltd. A GORDON GROUP COMPANY		B20-016		
A	.08	Released.		NAME	DATE	TITLE			DRAWING No.	
				DRAWN	bwg	15.11.08	TNC R/A Crimp Cable Plug		ISSUE A	
				APPR'VD			MATERIAL NOTED		REF. DRGS.	
							FINISH NOTED		FIRST USE:	
				TOLERANCE UNLESS OTHERWISE SPECIFIED: 2 fig decimal +/- .004" 3 fig decimal +/- .002" Angles +/- 1 deg						SCALE 2:1

Key	Part No.	Description	Qty.	Material	Finish
1	12090-1	Crimp Sleeve	1	Brass	Nickel Plated
2	12867	Pin - cable entry	1	Brass	Gold Plated
3	12863	Body block - cable entry	1	Brass	Nickel Plated
4	12868	Insulator - cable entry	1	P.T.F.E.	Natural
5	11984	TNC Swivel Nut	1	Brass	Nickel Plated
6	12865	Pin - TNC body	1	Brass	Gold Plated
7	12486	Insulator - body	1	P.T.F.E.	Natural
8	12862	Body sleeve - TNC	1	Brass	Nickel Plated
9	11983	Gasket	1	Silastic	Red
10	11986	Circlip	1	Brass	Natural
11	12864	Plug	1	Brass	Nickel Plated
12	12866	Contact - captive	1	Brass	Gold Plated



COPYRIGHT RESERVED: THIS DRAWING IS THE SOLE PROPERTY OF LINK CONNECTORS P/L & IS RETURNABLE ON REQUEST. IT IS TO BE TREATED AS CONFIDENTIAL, IS NOT TO BE COMMUNICATED TO ANY OTHER PERSON WITHOUT THE WRITTEN CONSENT OF LINK CONNECTORS & MAY BE USED FOR MANUFACTURE, ONLY WHEN ACCOMPANIED BY A WRITTEN ORDER.