

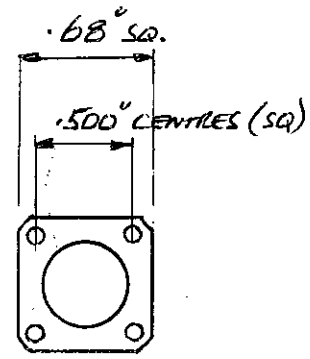
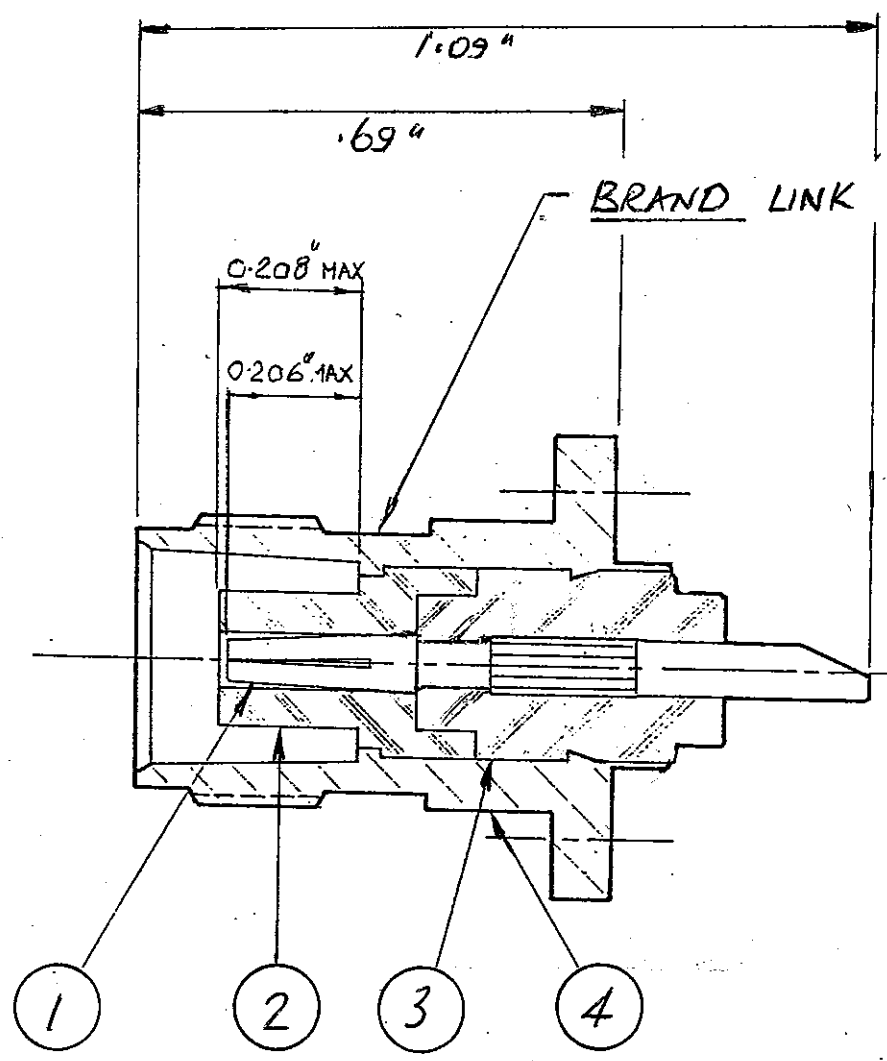
| REV.  | DATE    | DETAILS                        | INIT.       | NAME                   | DATE   | LINK CONNECTORS P/L A GORDON GROUP COMPANY              |   |
|---|---------|--------------------------------|-------------|------------------------|--------|---|---|
| A   | 2/3/93  | RELEASED / REWORK              | [Signature] | DRAWN KWK              | 2/3/93 | 'TNC' FLANGE MOUNT JACK RECEPTACLE<br>MNTG FLANGE NO. 1 |   |
| B   | 12/6/97 | Bomb added, rivet oval deleted | [Signature] | CHECKED                |        |   |   |
| B   | 12/6/97 | Flange hole was .110           | [Signature] | APPROVED               | 2/3/93 | MATERIAL NOTED  |   |
|   |         |                                |             | MASTER SAMPLE LOCATION |        | FINISH NOTED  |   |
| GENERAL TOLERANCE UNLESS OTHERWISE SPECIFIED: Two Fig Decimal ± 0.010 * Three Fig Decimal ± 0.005 * Angles ± 1 Degree |         |                                |             |                        |        | SCALE   | 1:1 <input type="checkbox"/> 2:1 <input type="checkbox"/> 4:1 <input type="checkbox"/> 5:1 <input type="checkbox"/> 10:1 <input type="checkbox"/> |

B20-015

DRAWING NO. ISSUE B

REF. DRGS. RFS # 26289-000

FIRST USE



MOUNTING FLANGE NO. 1  
 .125" Ø HOLES (x 4)

|     |          |                 |      |
|-----|----------|-----------------|------|
| 4   | 12178    | BODY FMJR.      | 1    |
| 3   | 11977    | REAR INSULATOR  | 1    |
| 2   | 11976    | FRONT INSULATOR | 1    |
| 1   | 11947    | CAPTIVE CONTACT | 1    |
| KEY | PART NO. | DESCRIPTION     | QTY. |



COPYRIGHT RESERVED: THIS DRAWING IS THE SOLE PROPERTY OF LINK CONNECTORS P/L AND IS RETURNABLE ON REQUEST. IS TO BE TREATED AS CONFIDENTIAL, IS NOT TO BE COMMUNICATED TO ANY OTHER PERSON WITHOUT THE WRITTEN CONSENT OF LINK CONNECTORS AND MAY BE USED FOR MANUFACTURE ONLY WHEN ACCOMPANIED BY A WRITTEN ORDER.