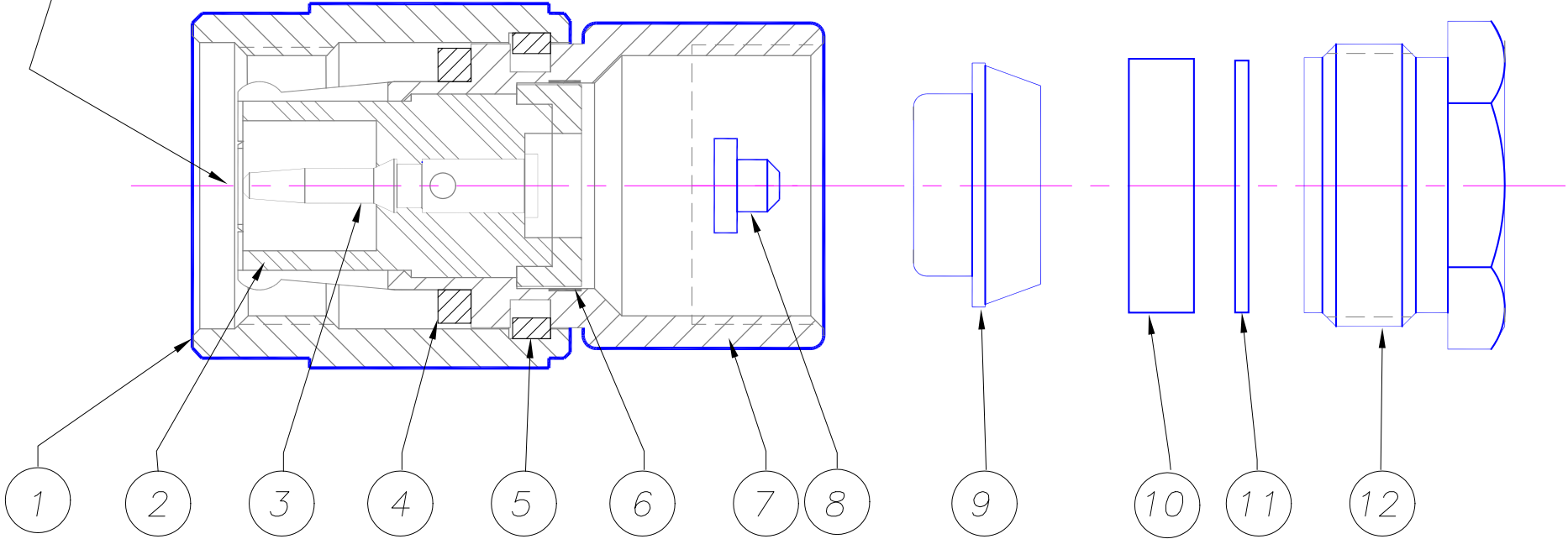


REV	DATE	REVISION DETAILS	INIT	IMPERIAL DIMENSIONS	GORDON TECHNOLOGIES Pty. Ltd.	A GORDON GROUP COMPANY	B20-014
C	6.10.09	Redrawn in AutoCad		NAME DATE	TITLE CABLE PLUG - TNC		
				DRAWN dgg	6.10.09	MATERIAL NOTED	ISSUE C
				APPR'VD		FINISH NOTED	REF. DRGS. B20-001
				X.XX/3.66 Metre bar			FIRST USE: XXXXXXXX
TOLERANCE UNLESS OTHERWISE SPECIFIED: 2 fig decimal +/- .004" 3 fig decimal +/- .002" Angles +/- 1 deg							SCALE 4:1

Key	Part No.	DESCRIPTION	Qty.	Material	Finish
1	11984	SWIVEL NUT	1	Brass	Nickel Plated
2	12477	INSULATOR	1	P.T.F.E.	Natural
3	12399-1	PIN - CONTACT	1	Brass	Gold Plated
4	11983	SEAL	1	Silicon Rubber	Natural
5	11986	CIRCLIP	1	Brass	Natural
6	11979-2	RETAINING RING	1	Brass	Nickel Plated
7	11960	BODY	1	Brass	Nickel Plated
8	11973	INSULATOR BUSHING	1	P.T.F.E.	Natural
9	11925-2	COLLET - BRAID	1	Brass	Nickel Plated
10	11925-2	GASKET - CABLE	1	Neoprene	Natural
11	11834	WASHER	1	Brass	Nickel Plated
12	11832-2	CABLE NUT	1	Brass	Nickel Plated

FOR RG59 CABLES

TNC interface to MIL STD 348A dimensions



COPYRIGHT RESERVED: THIS DRAWING IS THE SOLE PROPERTY OF LINK CONNECTORS P/L & IS RETURNABLE ON REQUEST.
 IT IS TO BE TREATED AS CONFIDENTIAL, IS NOT TO BE COMMUNICATED TO ANY OTHER PERSON WITHOUT THE WRITTEN
 CONSENT OF LINK CONNECTORS & MAY BE USED FOR MANUFACTURE, ONLY WHEN ACCOMPANIED BY A WRITTEN ORDER.