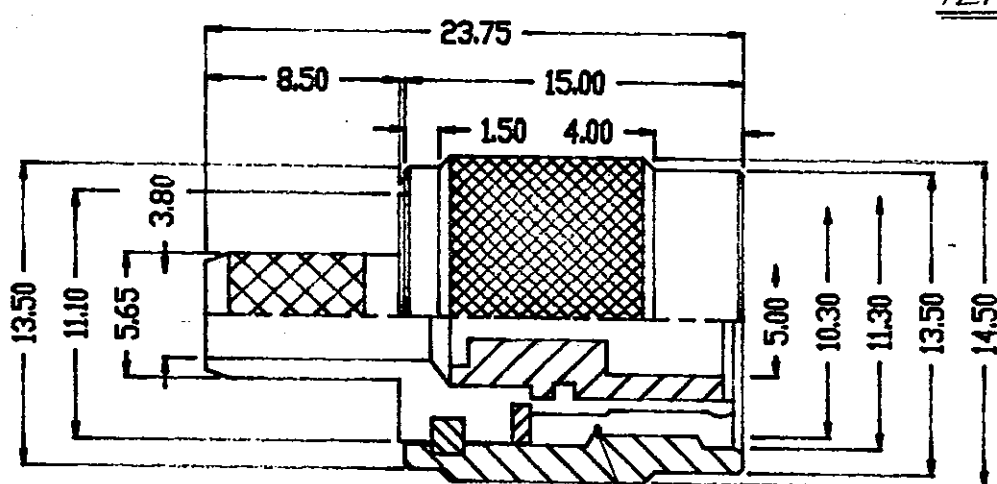
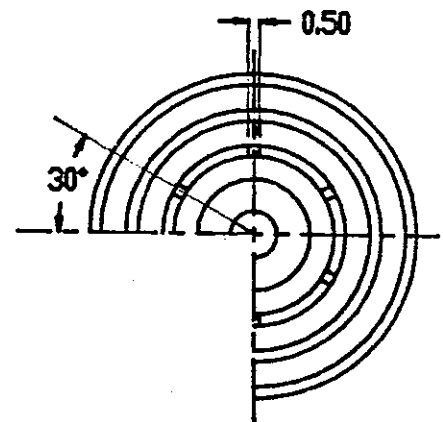


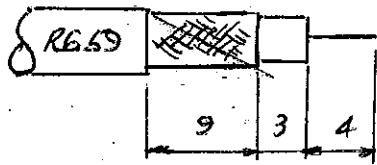
REV.	DATE	DETAILS	INIT.	NAME	DATE	LINK CONNECTORS P/L A GORDON GROUP COMPANY	METRIC
0	11/5/92	RELEASED / REORDAIN ALL PARTS	[Signature]	DRAWN KAK	11/5/92	'TNC' CRIMP CABLE PLUG	B20-010
				CHECKED PWG	12-5-92	TITLE RG 59 CABLE	DRAWING NO. ISSUE C
				APPROVED		MATERIAL BODY & HARDWARE - BRASS	REF. DRGS. 20-102-59
				MASTER SAMPLE LOCATION		FINISH BODY & SLEEVE - NICKEL PL. & PIN - GOLD PLATE	FIRST USE
GENERAL TOLERANCE UNLESS OTHERWISE SPECIFIED: Two Fig Decimal $\pm 0.05$ One Fig Decimal $\pm 0.10$ Angles $\pm 1$ Degree							SCALE 1:1 2:1 4:1 5:1 10:1



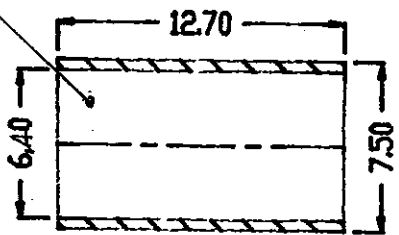
TEFLON PTFE INSULATION



CABLE TRIMMING DETAIL



INTERFACE TO MEET MIL STD 388 A DIMENSIONAL LIMITS



3	12399-2	CRIMP/CAPTIVE PIN (NOT SHOWN)	1
2	12090-4	CRIMP SLEEVE	1
1	20-102/59	BODY ASSEMBLY	1
KEY	PART NO	DESCRIPTION	QTY.



COPYRIGHT RESERVED: THIS DRAWING IS THE SOLE PROPERTY OF LINK CONNECTORS P/L AND IS RETURNABLE ON REQUEST. IS TO BE TREATED AS CONFIDENTIAL, IS NOT TO BE COMMUNICATED TO ANY OTHER PERSON WITHOUT THE WRITTEN CONSENT OF LINK CONNECTORS AND MAY BE USED FOR MANUFACTURE ONLY WHEN ACCOMPANIED BY A WRITTEN ORDER.