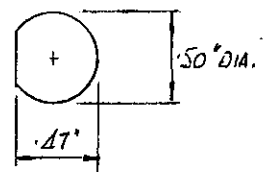


REV.	DATE	DETAILS	INIT.	NAME	DATE	LINK CONNECTORS P/L A GORDON GROUP COMPANY	
A	12/2/93	RELEASED/REDRAWN		DRAWN KWK	12-2-93	'TNC' SINGLE HOLE MOUNT CRIMP CABLE JACK RG 58 CABLES	
B		ITEM 1 WAS 12340, 6 WAS 12343-1		CHECKED			
				APPROVED: BNG	17/2/93	MATERIAL NOTED	
				MASTER SAMPLE LOCATION		FINISH NOTED	
GENERAL TOLERANCE UNLESS OTHERWISE SPECIFIED: Two Fig Decimal ± 0.010 Three Fig Decimal ± 0.005 Angles ± 1 Degree						SCALE	1:1 2:1 4:1 6:1 10:1

B20-009
DRAWING NO. B20-012
ISSUE B

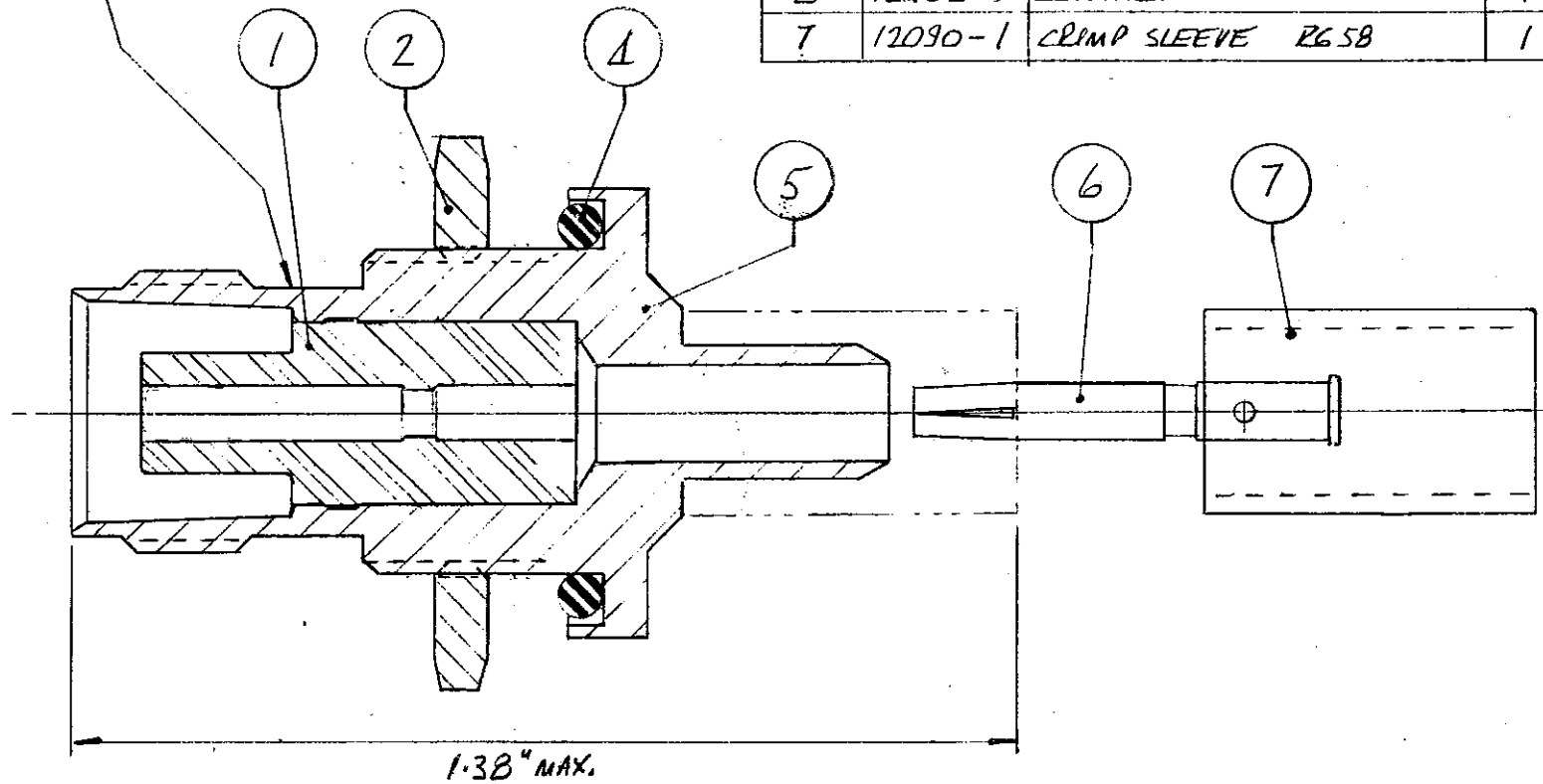
D' HOLE MOUNTING

MAX. PANEL THICKNESS - .180"



BRAND - LINK B20-009
TO READ FROM JACK END

KEY	PART NO.	DESCRIPTION	QTY.
1	12401	INSULATOR	1
2	11012-3	HEXAGON LOCK NUT	1
4	12141	'D' RING SEAL	1
5	12341-1	BODY ~ RG58	1
6	12402-1	CONTACT ~ CRIMP/CAPTIVE RG58	1
7	12090-1	CRIMP SLEEVE RG58	1



1.38" MAX.



COPYRIGHT RESERVED: THIS DRAWING IS THE SOLE PROPERTY OF LINK CONNECTORS P/L AND IS RETURNABLE ON REQUEST. IS TO BE TREATED AS CONFIDENTIAL. IS NOT TO BE COMMUNICATED TO ANY OTHER PERSON WITHOUT THE WRITTEN CONSENT OF LINK CONNECTORS AND MAY BE USED FOR MANUFACTURE ONLY WHEN ACCOMPANIED BY A WRITTEN ORDER.