

REV.	DATE	DETAILS	INIT.	NAME	DATE	LINK CONNECTORS P/L A GORDON GROUP COMPANY
C	10/3/92	RELEASED/REDRAWN.	LD.	KWK	10-3-92	TNC CRIMP CABLE PLUG
						RG 58 CABLE.
						TITLE
						MATERIAL BODY, PIN, CRIMP SLEEVE ~ BRASS
						FINISH BODY-NICKEL PIN-GOLD PLATE
						GENERAL TOLERANCE UNLESS OTHERWISE SPECIFIED: Two Fig Decimal $\pm 0,05$ One Fig Decimal $\pm 0,10$ Angles ± 1 Degree
						SCALE 1:1 2:1 4:1 5:1 10:1

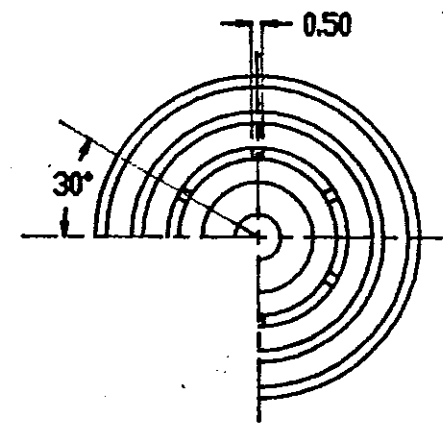
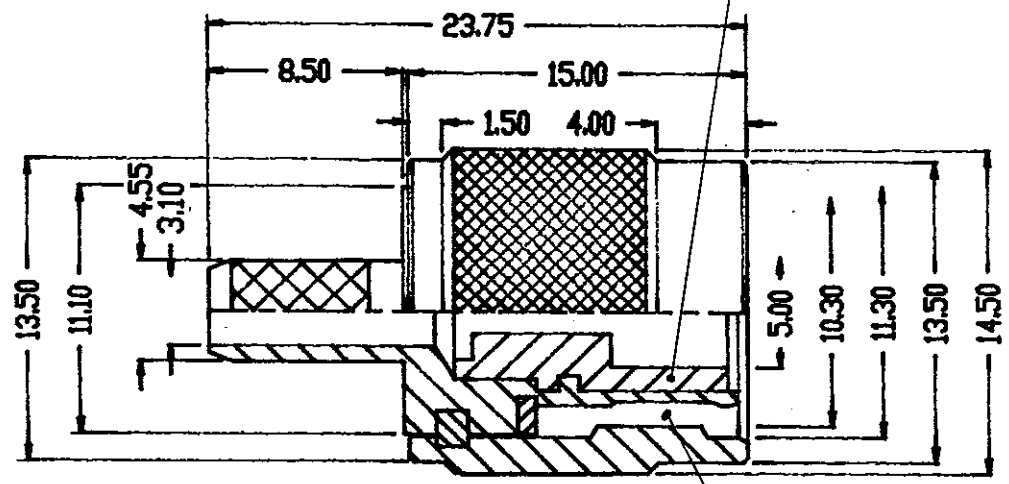
B20-007

DRAWING NO. ISSUE C

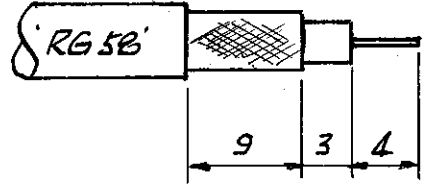
REF. DRGS. 20-402/58

FIRST USE B20-007

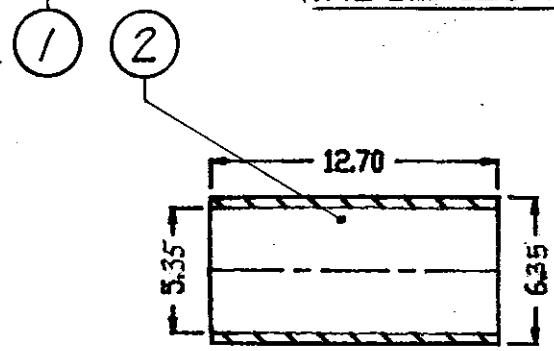
'TEFLON' PTFE INSULATION



CABLE TRIMMING DETAIL



INTERFACE TO MEET MIL STD 318 A DIMENSIONAL LIMITS



3	12399-1	CRIMP CAPTIVE PIN (NOT SHOWN)	1
2	12090-1	CRIMP SLEEVE	1
1	20-402/58	BODY ASSEMBLY	1
KEY	PART NO	DESCRIPTION	QTY.

COPYRIGHT RESERVED: THIS DRAWING IS THE SOLE PROPERTY OF LINK CONNECTORS P/L AND IS RETURNABLE ON REQUEST, IS TO BE TREATED AS CONFIDENTIAL, IS NOT TO BE COMMUNICATED TO ANY OTHER PERSON WITHOUT THE WRITTEN CONSENT OF LINK CONNECTORS AND MAY BE USED FOR MANUFACTURE ONLY WHEN ACCOMPANIED BY A WRITTEN ORDER.