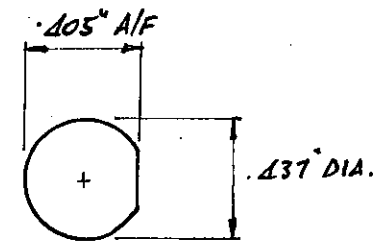
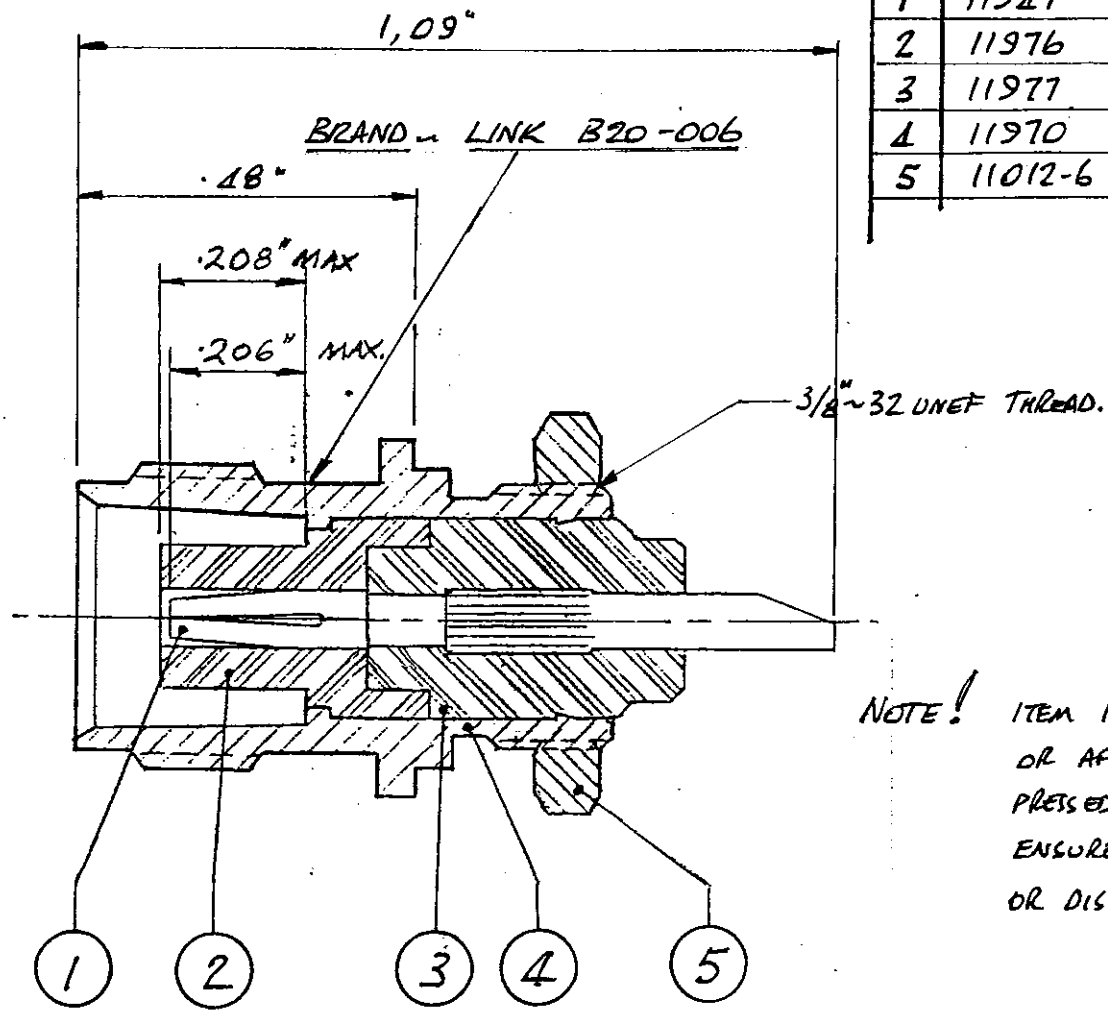


REV.	DATE	DETAILS	INIT.	NAME	DATE	LINK CONNECTORS P/L A GORDON GROUP COMPANY
B	24/3/93	RELEASED	<i>[Signature]</i>	DRAWN	KWK	24/3/93
C	12/1/94	Routing replaced by 'BARB'	<i>[Signature]</i>	CHECKED		
				APPROVED	<i>[Signature]</i>	24/3/93
TITLE						'TNC' SINGLE HOLE MOUNT JACK RECEPTACLE NO 7 'D' HOLE MOUNTING.
MATERIAL						NOTED
FINISH						NOTED
GENERAL TOLERANCE UNLESS OTHERWISE SPECIFIED: Two Fig Decimal = 0.010° Three Fig Decimal = 0.005° Angles ± 1 Degree						SCALE 1:1 2:1 3:1 5:1 10:1

B20-006

KEY	PART No.	DESCRIPTION	QTY.
1	11927	CENTRE CONTACT (CAPTIVE)	1
2	11976	FRONT INSULATOR	1
3	11977	REAR INSULATOR	1
4	11970	BODY	1
5	11012-6	LOCK NUT	1



NOTE! ITEM 1 CONTACT CAN BE ASSEMBLED BEFORE OR AFTER THE INSULATORS (ITEM 2 & 3) ARE PRESSED INTO THE BODY. ENSURE THE INSULATORS ARE NOT DAMAGED OR DISTORTED DURING ASSY.

3rd ANGLE

COPYRIGHT RESERVED: THIS DRAWING IS THE SOLE PROPERTY OF LINK CONNECTORS P/L AND IS RETURNABLE ON REQUEST. IS TO BE TREATED AS CONFIDENTIAL, IS NOT TO BE COMMUNICATED TO ANY OTHER PERSON WITHOUT THE WRITTEN CONSENT OF LINK CONNECTORS AND MAY BE USED FOR MANUFACTURE ONLY WHEN ACCOMPANIED BY A WRITTEN ORDER.