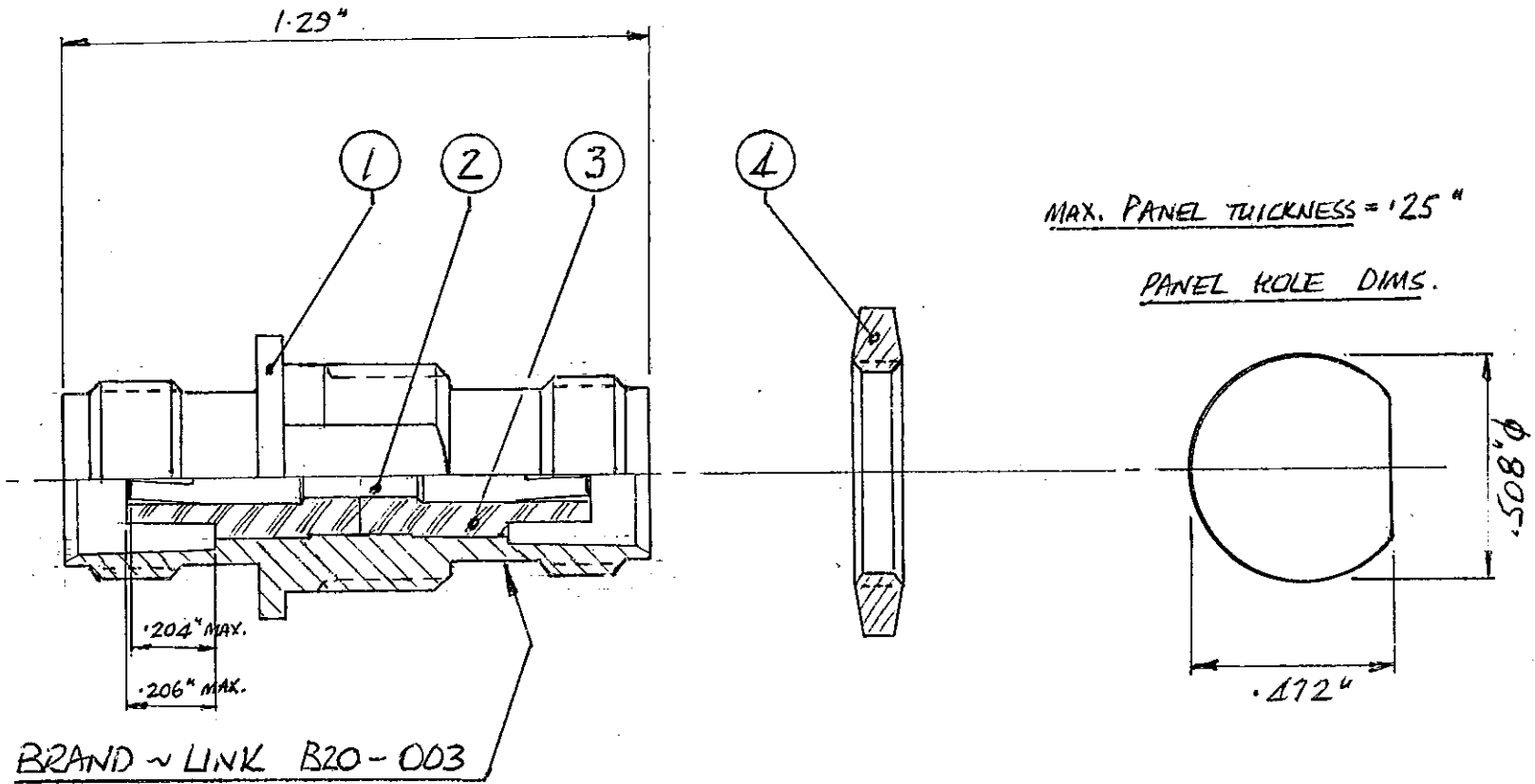


REV.	DATE	DETAILS	INIT.	NAME	DATE	LINK CONNECTORS P/L A GORDON GROUP COMPANY						
A	6/9/91	RELEASED	[Signature]	KWK	6.9.91	TNC JACK/JACK ADAPTOR ASSEMBLY	B20-003					
B	29/9/01	Rev 2 was 12368	[Signature]			TITLE BULKHEAD MOUNT NO 9 MTS.	DRAWING NO. ISSUE B					
				APPROVED BWG	6.9.91	MATERIAL NOTED	REF. DRGS.					
				MASTER SAMPLE LOCATION		FINISH NOTED	FIRST USE					
GENERAL TOLERANCE UNLESS OTHERWISE SPECIFIED: Two Fig Decimal ± 0.010 * Three Fig Decimal ± 0.005 * Angles ± 1 Degree							SCALE	1:1	2:1	4:1	5:1	10:1

KEY	PART NO	DESCRIPTION	QTY
1	12109	BODY - BRASS NICKEL PL	1
2	12368-1	DIE CONTACT BeCu Good PL	1
3	12367	INSULATOR - PTFE	2
4	11012-3	LOCKNUT - BRASS NICK PL	1



COPYRIGHT RESERVED: THIS DRAWING IS THE SOLE PROPERTY OF LINK CONNECTORS P/L AND IS RETURNABLE ON REQUEST. IT IS TO BE TREATED AS CONFIDENTIAL, NOT TO BE COMMUNICATED TO ANY OTHER PERSON WITHOUT THE WRITTEN CONSENT OF LINK CONNECTORS AND MAY BE USED FOR MANUFACTURE ONLY WHEN ACCOMPANIED BY A WRITTEN ORDER.