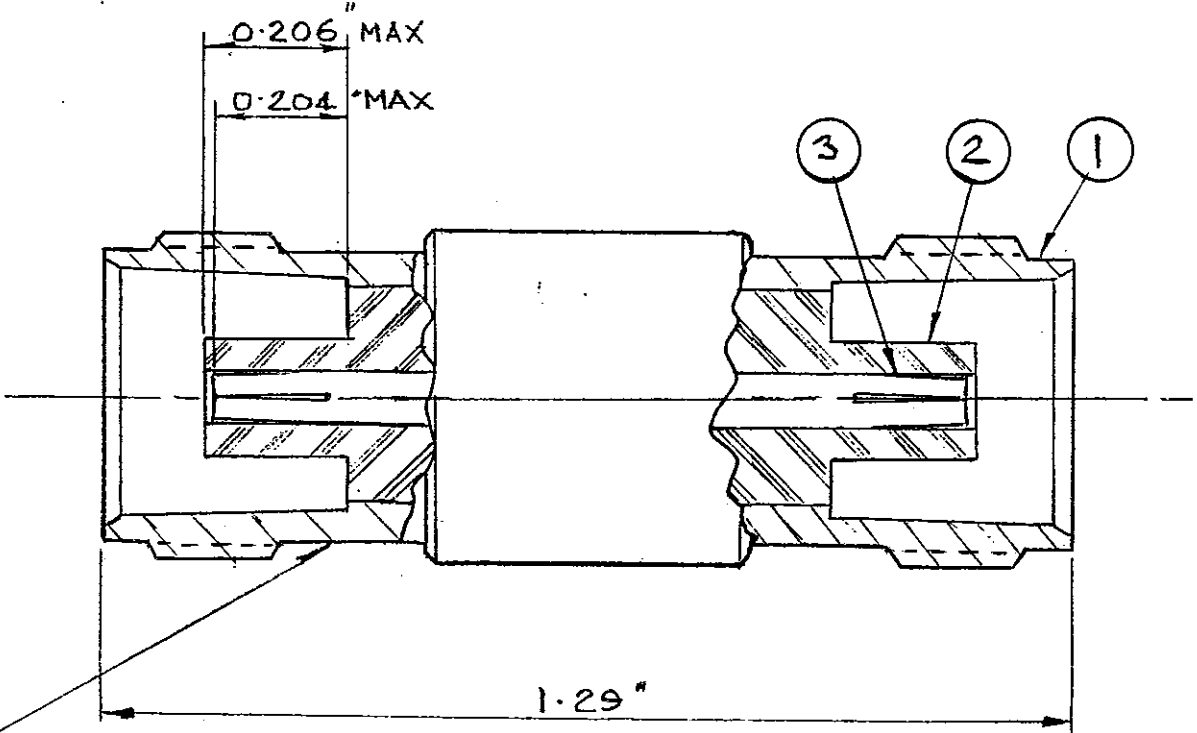


REV.	DATE	DETAILS	INIT.	NAME	DATE	LINK CONNECTORS P/L A GORDON GROUP COMPANY		
A	3/10/95	RELEASED	[Signature]	DRAWN KWK	3/10/95	TNC ADAPTOR - STRAIGHT JACK/JACK		
B	25/10/95	From 3 ins 12368	[Signature]	CHECKED		TITLE	DRAWING NO. B20-002	
				APPROVED BWG	3/10/95	MATERIAL NOTED	ISSUE B	
				MASTER SAMPLE LOCATION		FINISH NOTED	REF. DRGS. B10-009	
							FIRST USE	
GENERAL TOLERANCE UNLESS OTHERWISE SPECIFIED: Two Fig Decimal ± 0.010 * Three Fig Decimal ± 0.005 * Angles ± 1 Degree							SCALE	1:1 <input type="checkbox"/> 2:1 <input type="checkbox"/> 4:1 <input checked="" type="checkbox"/> 5:1 <input type="checkbox"/> 10:1 <input type="checkbox"/>

KEY	PART NO	DESCRIPTION	QTY	MATERIAL	FINISH
1	12136	BODY	1	BRASS	NICKEL PL.
2	12367	INSULATOR	2	PTFE	NATURAL
3	12368-1	CONTACT - D/E	1	BRASS	GOLD PL.



BRAND ~
LINK B20-002

COPYRIGHT RESERVED:
 THIS DRAWING IS THE SOLE PROPERTY OF LINK CONNECTORS P/L AND IS RETURNABLE ON REQUEST. IT IS TO BE TREATED AS CONFIDENTIAL, IS NOT TO BE COMMUNICATED TO ANY OTHER PERSON WITHOUT THE WRITTEN CONSENT OF LINK CONNECTORS AND MAY BE USED FOR MANUFACTURE ONLY WHEN ACCOMPANIED BY A WRITTEN ORDER.