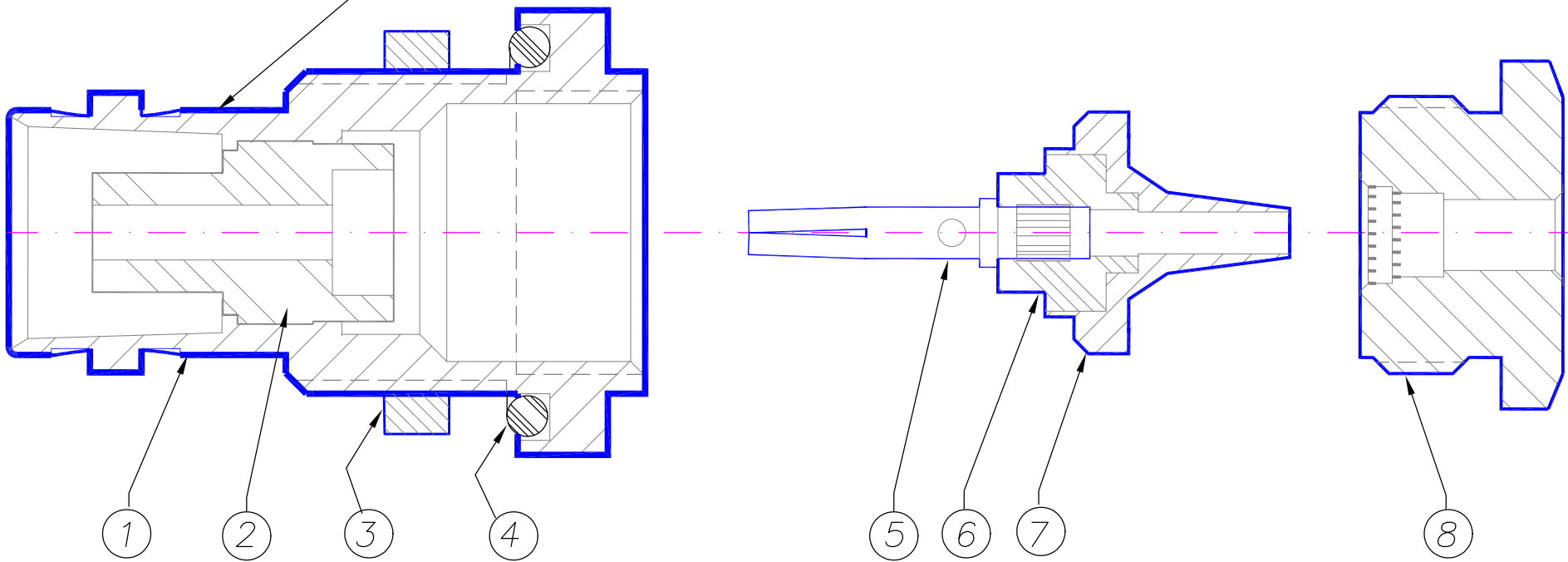


REV	DATE	REVISION DETAILS	INIT	IMPERIAL DIMENSIONS		GORDON TECHNOLOGIES Pty. Ltd. A GORDON GROUP COMPANY		B15-005 DRAWING No. ISSUE D
D	.07	Redrawn in AutoCad.		NAME	DATE	TITLE		
				DRAWN	kwk	14.5.07	BNC SHM CABLE JACK	
				APPR'VD			MATERIAL NOTED	
							FINISH NOTED	
				TOLERANCE UNLESS OTHERWISE SPECIFIED: 2 fig decimal +/- .004" 3 fig decimal +/- .002" Angles +/- 1 deg				REF. DRGS.
							FIRST USE:	
							SCALE 4:1	

FOR RG-174 CABLE

BRAND - LINK B15-005
to read from the Jack end

Key	Part no.	DESCRIPTION	Qty	Material	Finish
1	12139	BODY	1	Brass	Nickel Plate
2	12169	INSULATOR	1	PTFE	Natural
3	11012-3	LOCK NUT	1	Brass	Nickel Plate
4	12141	O RING - BS014	1	Neoprene	Black
5	12168	CONTACT	1	Beryllium Copper	Gold Plate
6	12144-4	INSULATOR	1	PTFE	Natural
7	12148-4	BRAID CONE	1	Brass	Nickel Plate
8	12152-10	KNURLED BRAID CLAMP	1	Brass	Nickel Plate



COPYRIGHT RESERVED: THIS DRAWING IS THE SOLE PROPERTY OF LINK CONNECTORS P/L & IS RETURNABLE ON REQUEST.
 IT IS TO BE TREATED AS CONFIDENTIAL, IS NOT TO BE COMMUNICATED TO ANY OTHER PERSON WITHOUT THE WRITTEN
 CONSENT OF LINK CONNECTORS & MAY BE USED FOR MANUFACTURE, ONLY WHEN ACCOMPANIED BY A WRITTEN ORDER.