

REV.	DATE	DETAILS	INIT.	NAME	DATE	LINK CONNECTORS P/L A GORDON GROUP COMPANY					
A	7/1/92	RELEASED	[Signature]	KWK	2/1/92	'BNC' SQUARE CUT CABLE PLUG. RG 174 CABLE.					
						TITLE					
						MATERIAL NOTED					
						FINISH NOTED					
GENERAL TOLERANCE UNLESS OTHERWISE SPECIFIED: Two Fig Decimal ± 0.010 * Three Fig Decimal ± 0.005 * Angles ± 1 Degree						SCALE	1:1	2:1	4:1	5:1	10:1

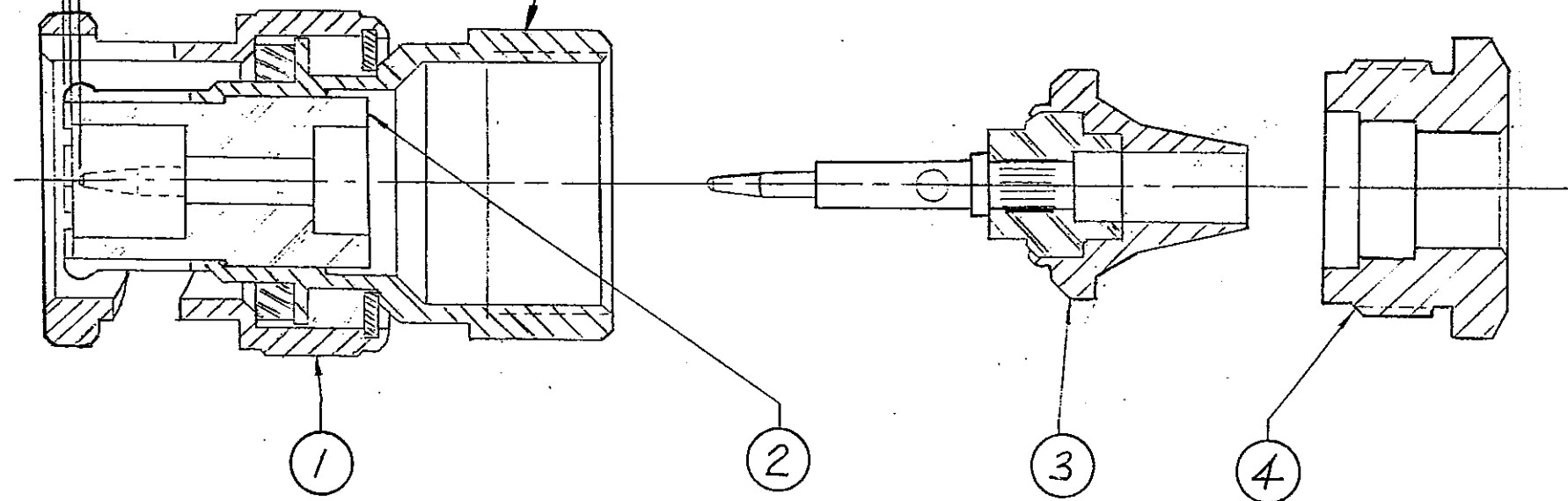
B15-003

DRAWING NO. ISSUE A

KEY	PART NO	DESCRIPTION	QTY
1	259	BNC BODY ASSY.	1
2	121A3	INSULATOR	1
3	257	BRAID CONE/PIN ASSY.	1
4	12152-10	CLAMP NUT.	1

0.003" MIN.
0.006" MIN.

BRAND LINK B15-003



COPYRIGHT RESERVED.
 THIS DRAWING IS THE SOLE PROPERTY OF LINK CONNECTORS P/L AND IS RETURNABLE ON REQUEST, IS TO BE TREATED AS CONFIDENTIAL, IS NOT TO BE COMMUNICATED TO ANY OTHER PERSON WITHOUT THE WRITTEN CONSENT OF LINK CONNECTORS AND MAY BE USED FOR MANUFACTURE ONLY WHEN ACCOMPANIED BY A WRITTEN ORDER.