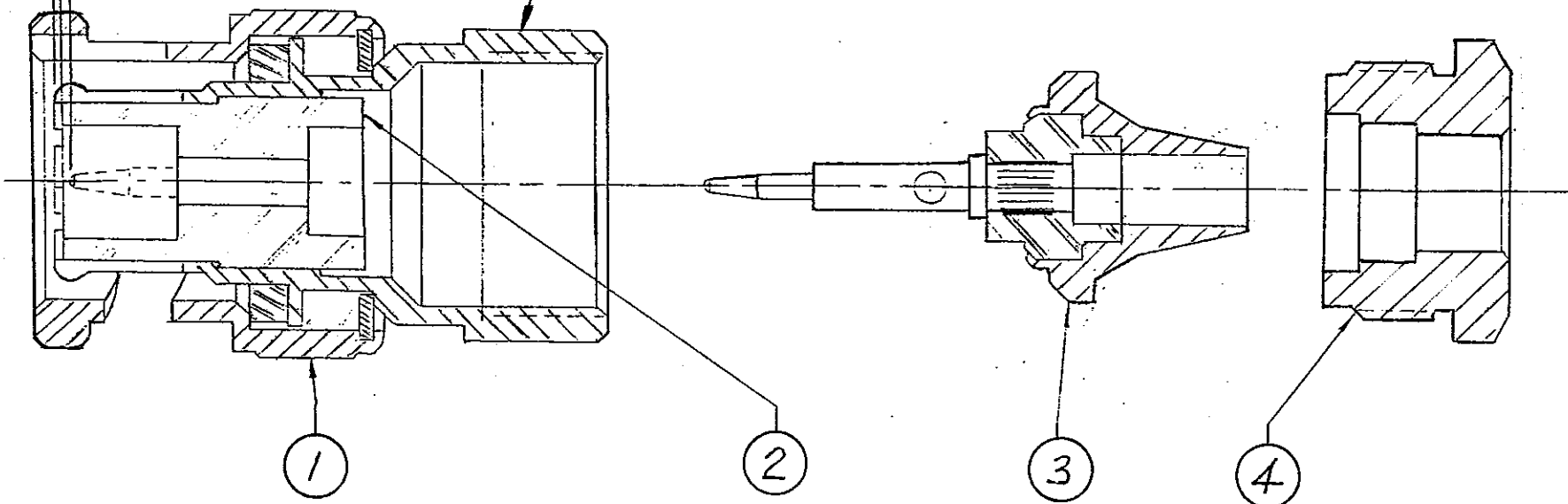


REV.	DATE	DETAILS	INIT.	NAME	DATE	LINK CONNECTORS P/L A GORDON GROUP COMPANY		
A	2/1/92	RELEASED / Redrawn.	<i>[Signature]</i>	KWK	2/1/92	'BNC' SQUARE CUT CABLE PLUG. RG 59 CABLE.	B15-002	
				CHECKED		TITLE	DRAWING NO. ISSUE A	
				APPROVED	7/18/92	MATERIAL NOTED	REF. DRGS.	
				MASTER SAMPLE LOCATION		FINISH NOTED	FIRST USE	
GENERAL TOLERANCE UNLESS OTHERWISE SPECIFIED: Two Fig Decimal ± 0.010 * Three Fig Decimal ± 0.005 * Angles ± 1 Degree							SCALE	1:1 <input type="checkbox"/> 2:1 <input type="checkbox"/> 4:1 <input type="checkbox"/> 6:1 <input type="checkbox"/> 8:1 <input type="checkbox"/>

KEY	PART NO	DESCRIPTION	QTY
1	259	BNC BODY ASSY.	1
2	12123	INSULATOR	1
3	255	BRAID CONE / PIN ASSY.	1
4	12152-A	CLAMP NOT.	1

0.003" MIN.
0.006" MIN.

BRAND LINK B15-002



COPYRIGHT RESERVED:
 THIS DRAWING IS THE SOLE PROPERTY OF LINK CONNECTORS P/L AND IS RETURNABLE ON REQUEST. IS TO BE TREATED AS CONFIDENTIAL. IS NOT TO BE COMMUNICATED TO ANY OTHER PERSON WITHOUT THE WRITTEN CONSENT OF LINK CONNECTORS AND MAY BE USED FOR MANUFACTURE ONLY WHEN ACCOMPANIED BY A WRITTEN ORDER.