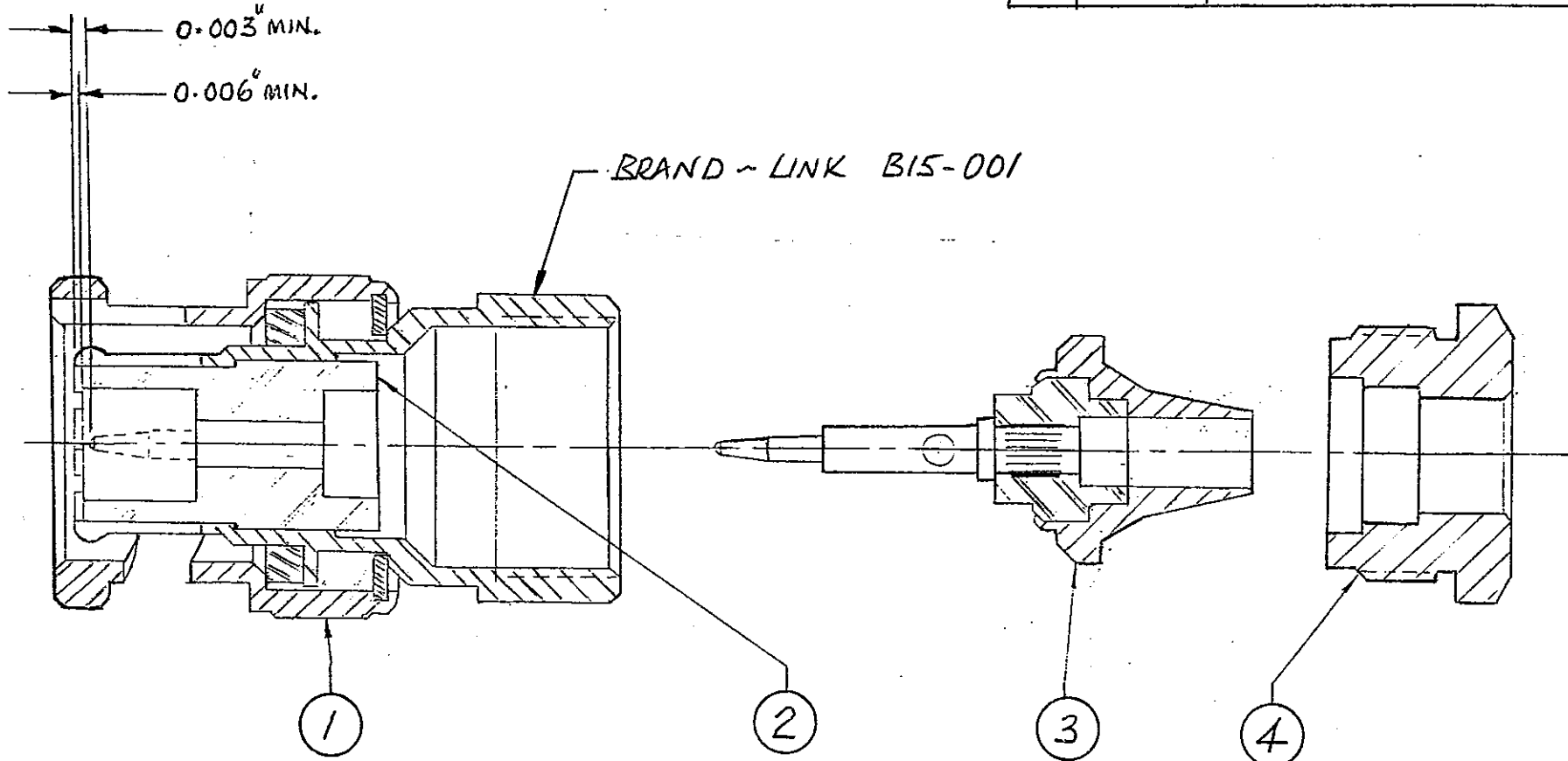


REV.	DATE	DETAILS	INIT.	NAME	DATE	LINK CONNECTORS P/L A GORDON GROUP COMPANY		
C	2/1/92	RELEASED / Redrawn	AB	KWK	2/1/92	'BNC' SQUARE OUT CABLE PLUG. RG 58 CABLE.	B15-001	
						TITLE	DRAWING NO. ISSUE C	
						CHECKED	REF. DRGS.	
						APPROVED <i>[Signature]</i>	FIRST USE	
					9/1/92	MATERIAL NOTED		
						MASTER SAMPLE LOCATION		
						FINISH NOTED		
GENERAL TOLERANCE UNLESS OTHERWISE SPECIFIED: Two Fig Decimal ± 0.010 * Three Fig Decimal ± 0.005 * Angles ± 1 Degree							SCALE	1:1 <input type="checkbox"/> 2:1 <input type="checkbox"/> 4:1 <input type="checkbox"/> 5:1 <input type="checkbox"/> 10:1 <input type="checkbox"/>

KEY	PART NO	DESCRIPTION	QTY
1	259	BNC BODY ASSY.	1
2	121A3	INSULATOR	1
3	254	BRAID CONE / PIN ASSY.	1
4	12152-1	CLAMP NUT.	1



COPYRIGHT RESERVED:
 THIS DRAWING IS THE SOLE PROPERTY OF LINK CONNECTORS P/L AND IS RETURNABLE ON REQUEST, IS TO BE TREATED AS CONFIDENTIAL, IS
 NOT TO BE COMMUNICATED TO ANY OTHER PERSON WITHOUT THE WRITTEN CONSENT OF LINK CONNECTORS AND MAY BE USED FOR
 MANUFACTURE ONLY WHEN ACCOMPANIED BY A WRITTEN ORDER.