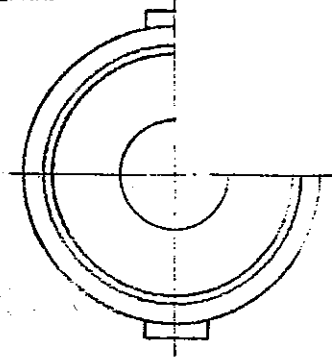
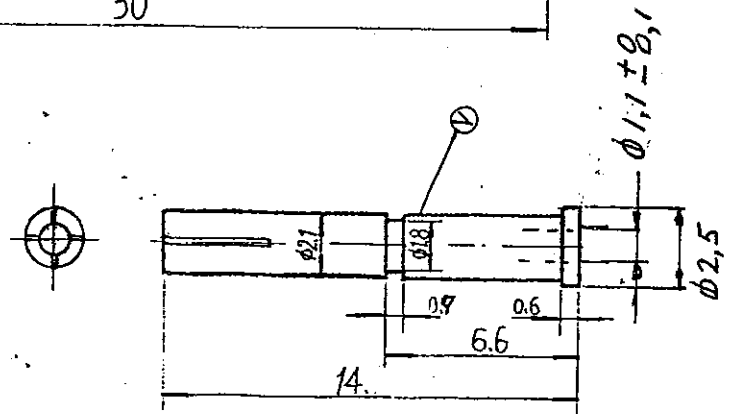
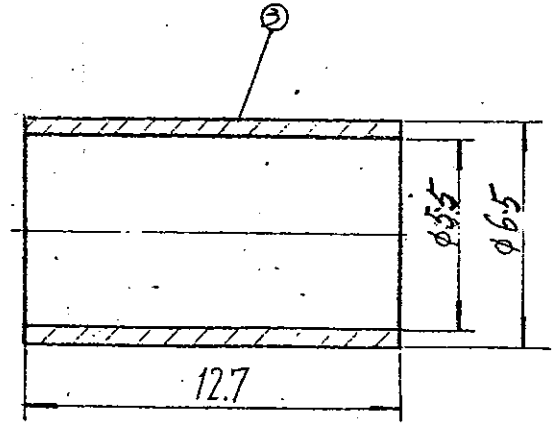
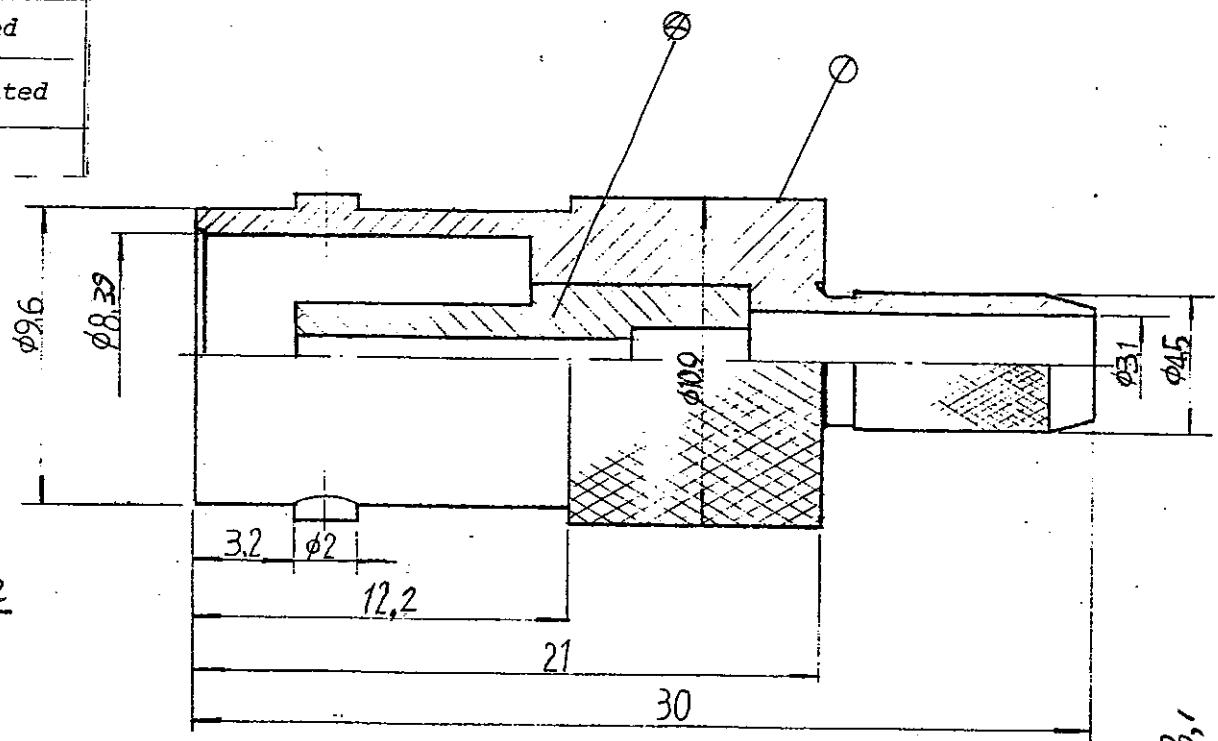


REV.	DATE	DETAILS	INIT.	NAME	DATE	LINK CONNECTORS P/L	A GORDON GROUP COMPANY
A	8/9/91	RELEASED	<i>[Signature]</i>	DRAWN KWK	2-9-91	BNC CRIMP CABLE JACK WITH CAPTIVE PIN FOR RG 58 CABLES.	
B	26/9/91	DRG NO WAS 20-309-58 SHOULDERS LENGTH WAS 2.4	<i>[Signature]</i>	CHECKED		TITLE	DRAWING NO. B10-050 ISSUE C
C	9/10/91	NUMER DIMENSIONAL CHANGES	<i>[Signature]</i>	APPROVED BNG	3-9-91	MATERIAL NOTED	REF. DRGS. 20-309-58
				MASTER SAMPLE LOCATION		FINISH NOTED	FIRST USE B10-050
GENERAL TOLERANCE UNLESS OTHERWISE SPECIFIED: Two Fig Decimal						ONE Fig Decimal $\pm 0,1$	Angles ± 1 Degree
						SCALE	1:1 2:1 4:1 6:1 10:1

1	Body	Material Brass, Nickel plated
2	Pin	Material Brass, Gold plated
3	Ferrule	Material Brass, Nickel plated
4	Insulation	TEFLON



INTERFACE TO MEET MIL C 39012
CLASS 2 LIMITS



COPYRIGHT RESERVED:
 THIS DRAWING IS THE SOLE PROPERTY OF LINK CONNECTORS P/L AND IS RETURNABLE ON REQUEST. IS TO BE TREATED AS CONFIDENTIAL. IS NOT TO BE COMMUNICATED TO ANY OTHER PERSON WITHOUT THE WRITTEN CONSENT OF LINK CONNECTORS AND MAY BE USED FOR MANUFACTURE ONLY WHEN ACCOMPANIED BY A WRITTEN ORDER.