

REV	DATE	REVISION DETAILS	INIT.	METRIC DIMENSIONS		GORDON TECHNOLOGIES P/L		A GORDON GROUP COMPANY		
F	.05	RELEASED			NAME	DATE	TITLE			
				DRAWN	kwk	12.4.05	'BNC' Cable Plug for RG8 to RG214 Cables			
				APPRVD.			MATERIAL NOTED		DRAWING No.	ISSUE
							FINISH NOTED		REF. DRGS. SK711	F
							GENERAL TOLERANCE UNLESS OTHERWISE SPECIFIED: One fig. decimal +/- 0,10 Two fig. decimal +/- 0,05 Angles +/- 1 degree		FIRST USE	
									SCALE: 2:1	

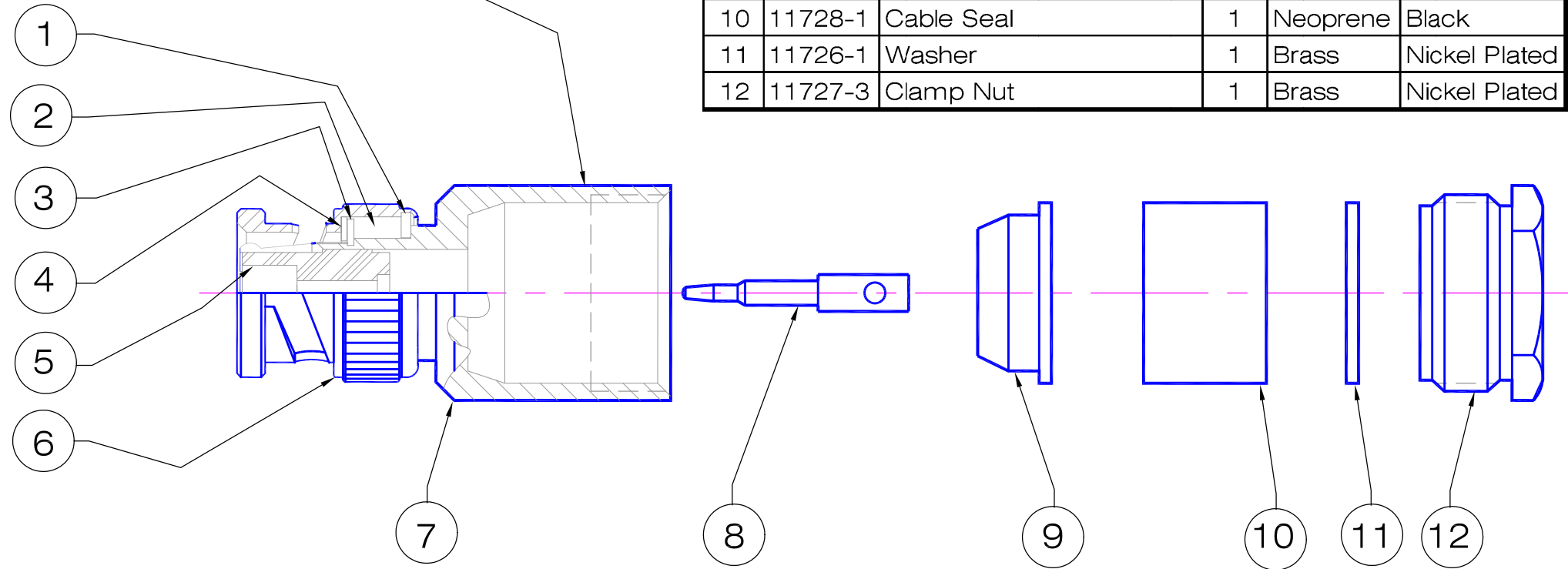
CABLE TRIMMING DETAIL

.22"
5.6mm

.26"
6.6mm



BRAND - LINK B10-048



Key	Part No.	Description	Qty.	Material	Finish
1	11997	BNC Washer	1	Steel	Nickel Plated
2	12000	BNC Spring	1	Steel	Natural
3	12481	BNC Lock Ring	1	Brass	Natural
4	11999	BNC Seal	1	Silastic	Red
5	12477	Insulator	1	P.T.F.E.	Natural
6	11996	BNC Bayonet Nut	1	Brass	Nickel Plated
7	12478	Body	1	Brass	Nickel Plated
8	12479	Pin - captive	1	Brass	Gold Plated
9	11725-3	Braid Cone	1	Brass	Silver Plated
10	11728-1	Cable Seal	1	Neoprene	Black
11	11726-1	Washer	1	Brass	Nickel Plated
12	11727-3	Clamp Nut	1	Brass	Nickel Plated

COPYRIGHT RESERVED: THIS DRAWING IS THE SOLE PROPERTY OF LINK CONNECTORS P/L & IS RETURNABLE ON REQUEST. IT IS TO BE TREATED AS CONFIDENTIAL, IS NOT TO BE COMMUNICATED TO ANY OTHER PERSON WITHOUT THE WRITTEN CONSENT OF LINK CONNECTORS & MAY BE USED FOR MANUFACTURE, ONLY WHEN ACCOMPANIED BY A WRITTEN ORDER.