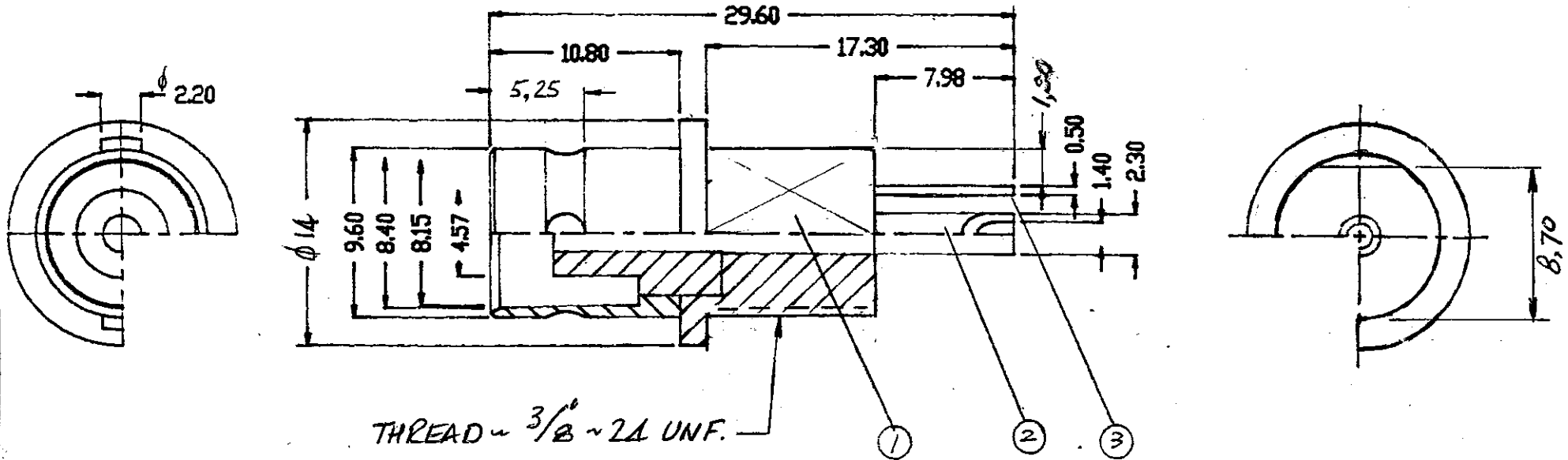


REV.	DATE	DETAILS	INIT.	NAME	DATE	LINK CONNECTORS P/L	A GORDON GROUP COMPANY	
B	7/1/91	Mounting Thread was 3/8 24	JK	DRAWN KNK	30-8-90	'BNC' SINGLE HOLE MOUNT JACK RECEPTACLE		B10-045
C	3/8/92	Mounting Thread was 1/2 26	D	CHECKED		TITLE ISOLATED GROUND MNTG # 8		DRAWING NO. ISSUE C
				APPROVED BWG	30-8-90	MATERIAL BODY BRASS/PLASTIC, INS. PTFE.		REF. DRGS. A1420-340
				MASTER SAMPLE LOCATION		FINISH NICKLE PLATE		FIRST USE
GENERAL TOLERANCE UNLESS OTHERWISE SPECIFIED: Two Fig Decimal ± 0,05 ONE Fig Decimal ± 0,10 Angles ± 1 Degree							SCALE 1:1 2:1 4:1 6:1 10:1	



ITEM 4 LOCK NUT ~ 1/2" A/F HEX X 1.0 WIDE WITH 3/8" - 24 UNF THREAD.

ITEM 5 SHAKEPROOF WASHER ~ 3/8" INSIDE DIA. SERRATIONS & 1/2" Ø OUTSIDE.

NO	DESCRIPTION	MATERIAL	FINISH	QTY
5	WASHER	BRASS	NICKEL	1
4	NUT	BRASS	NICKEL	1
3	SOLDER TAG	BRASS	NICKEL	1
2	CONTACT	BRASS	GOLD	1
1	INSULATION	PBT		1

COPYRIGHT RESERVED: THIS DRAWING IS THE SOLE PROPERTY OF LINK CONNECTORS P/L AND IS RETURNABLE ON REQUEST. IT IS TO BE TREATED AS CONFIDENTIAL, IS NOT TO BE COMMUNICATED TO ANY OTHER PERSON WITHOUT THE WRITTEN CONSENT OF LINK CONNECTORS AND MAY BE USED FOR MANUFACTURE ONLY WHEN ACCOMPANIED BY A WRITTEN ORDER.