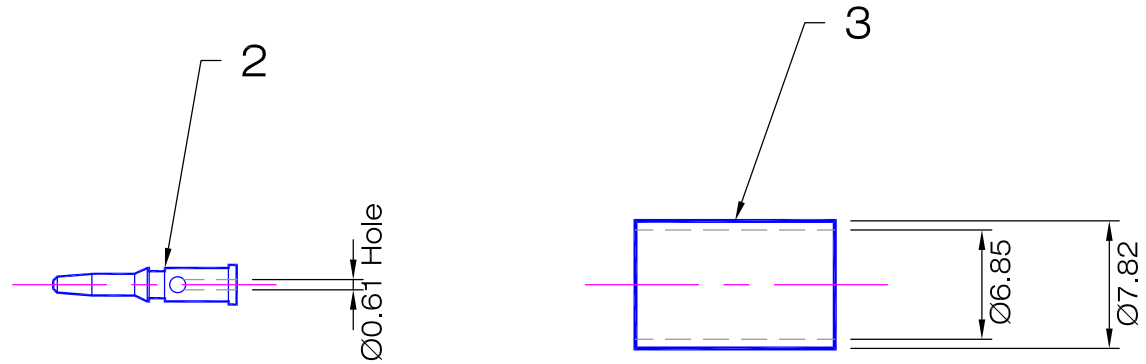
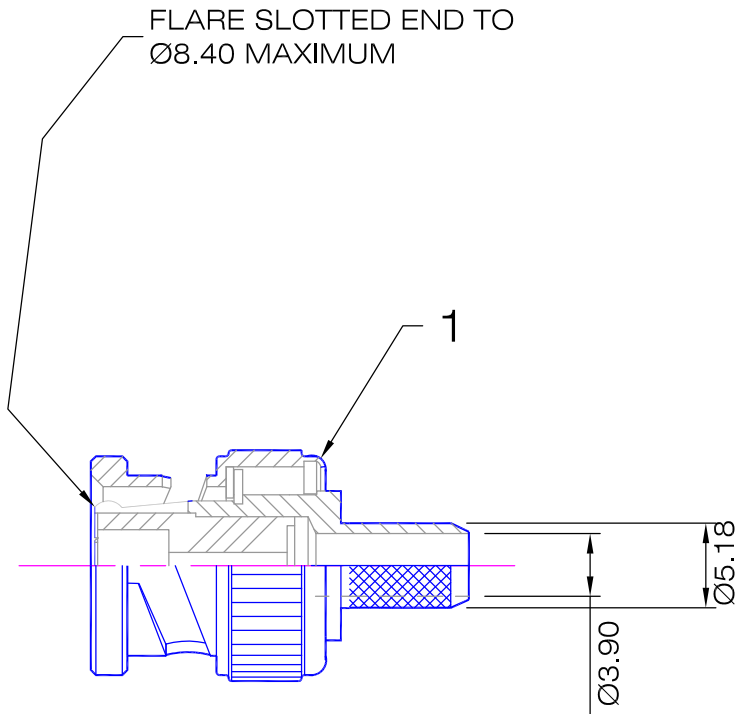


REV	DATE	REVISION DETAILS	INIT.	METRIC DIMENSIONS		LINK CONNECTORS P/L	A GORDON GROUP COMPANY	B10-027	E
D	30.1.01	Redrawn in AutoCad.	kwk	NAME	DATE	TITLE			
E	10.6.08	Item 1 was #281 & branding deleted.		DRAWN	kwk	25.1.01	'BNC' CABLE PLUG with Crimp termination & Captive Pin	REF. DRGS. B10-026, B10-028	
				APPRVD.	BWG	30.1.01	MATERIAL NOTED	FIRST USE	
							FINISH NOTED	SCALE: 2:1	
GENERAL TOLERANCE UNLESS OTHERWISE SPECIFIED: One fig. decimal +/- 0,20 Two fig. decimal +/- 0,05 Angles +/- 1 degree									

FOR CABLES - RG59 TWIN SHIELD, MM #R151

Key	Part No.	DESCRIPTION	Qty.	Material	Finish
1	20-305-59	BODY/INSULATOR ASSY	1	BRASS/PTFE	Nickel Plated
2	12399-4	CRIMP PIN	1	Brass	Gold Plated
3	12090-5	CRIMP SLEEVE	1	Brass	Nickel Plated



'BNC' INTERFACE TO MEET
MIL STD 348A

COPYRIGHT RESERVED: THIS DRAWING IS THE SOLE PROPERTY OF LINK CONNECTORS P/L & IS RETURNABLE ON REQUEST. IT IS TO BE TREATED AS CONFIDENTIAL, IS NOT TO BE COMMUNICATED TO ANY OTHER PERSON WITHOUT THE WRITTEN CONSENT OF LINK CONNECTORS & MAY BE USED FOR MANUFACTURE, ONLY WHEN ACCOMPANIED BY A WRITTEN ORDER.