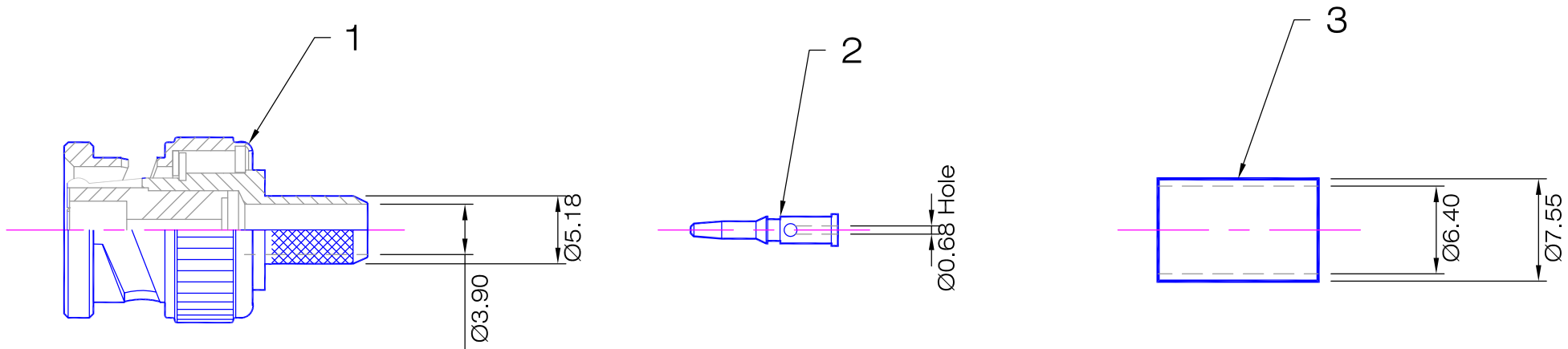


REV	DATE	REVISION DETAILS	INIT.	METRIC DIMENSIONS			LINK CONNECTORS P/L	A GORDON GROUP COMPANY	B10-026	D
C	30.1.01	Redrawn AutoCad. Item 1 was #284 Body assy.	kwk	NAME	DATE	TITLE	'BNC' CABLE PLUG with Crimp termination & Captive Pin			
D	10.6.08	Item 1 was #281 & branding deleted.		DRAWN	kwk	25.1.01			REF. DRGS.	B10-028
				APPRVD.	BWG	30.1.01	MATERIAL	NOTED	FIRST USE	
							FINISH	NOTED	SCALE:	2:1
GENERAL TOLERANCE UNLESS OTHERWISE SPECIFIED: One fig. decimal +/- 0,20 Two fig. decimal +/- 0,05 Angles +/- 1 degree										

FOR CABLES - RG59, RG62

Key	Part No.	DESCRIPTION	Qty.	Material	Finish
1	20-305-59	BODY/INSULATOR ASSY	1	BRASS/PTFE	Nickel Plated
2	12399-2	CRIMP PIN	1	Brass	Gold Plated
3	12090-4	CRIMP SLEEVE	1	Brass	Nickel Plated



'BNC' INTERFACE TO MEET
MIL STD 348A

NOTE ! THIS ASSEMBLY IS THE SAME AS B10-028 EXCEPT FOR ITEM #2 - CAPTIVE PIN