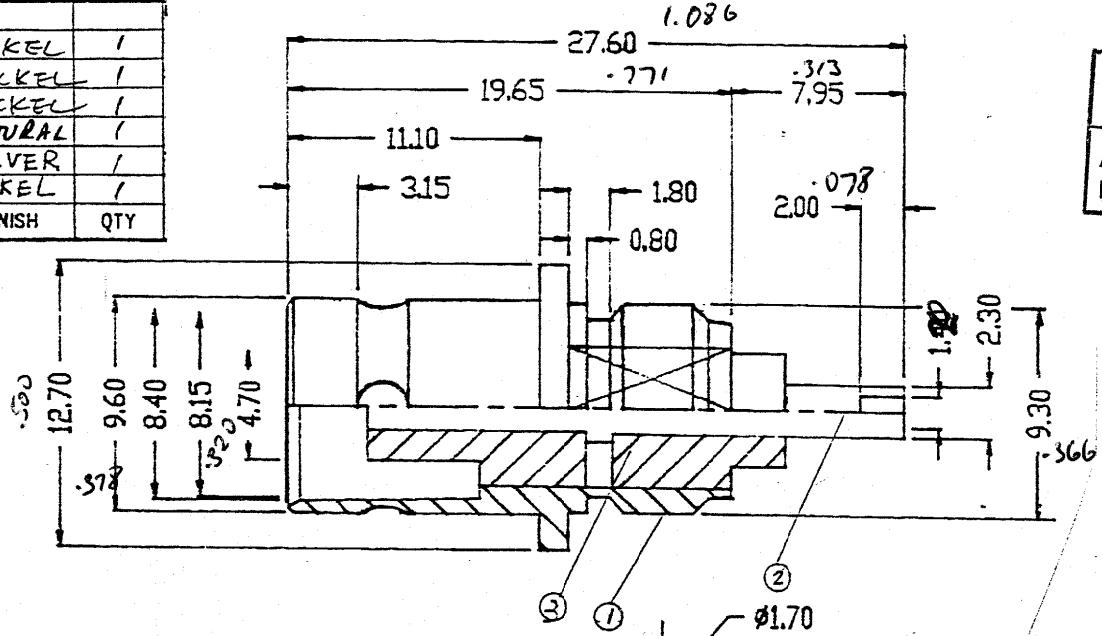
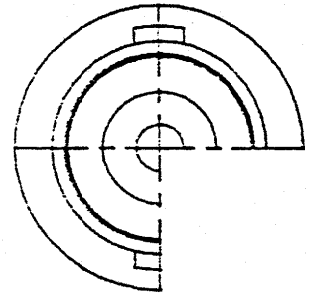


REV.	DATE	DETAILS	INT.	NAME	DATE	LINK CONNECTORS P/L A GORDON GROUP COMPANY
A	7/11/91	RELEASED	100	DRAWN KWK	7/11/91	B.N.C. PANEL MOUNT JACK RECEPTACLE
				CHECKED B.W.C.	7-11-91	TITLE
				APPROVED		MATERIAL NOTED
				MASTER SAMPLE LOCATION		FINISH NOTED
GENERAL TOLERANCE UNLESS OTHERWISE SPECIFIED: Two Fig Decimal ± 0.010 * Three Fig Decimal ± 0.005 * Angles ± 1 Degree						SCALE
						1:1
						2:1
						4:1
						5:1
						10:1

B10-025

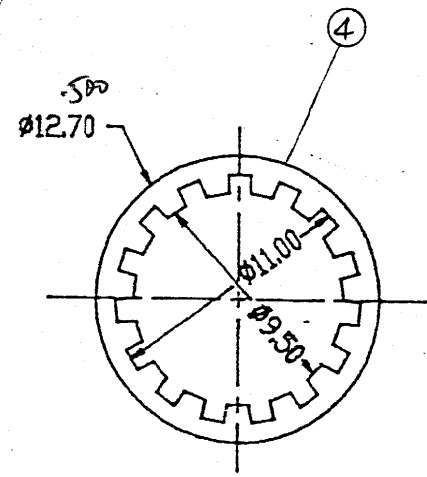
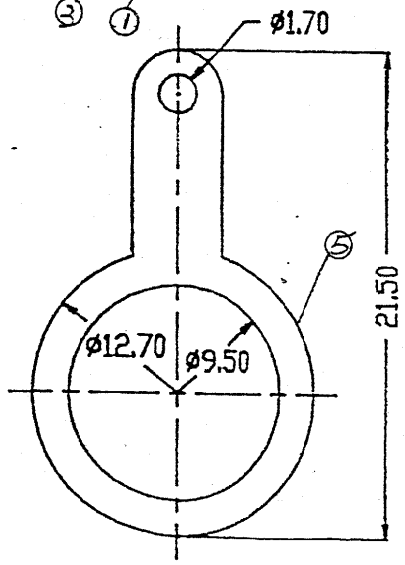
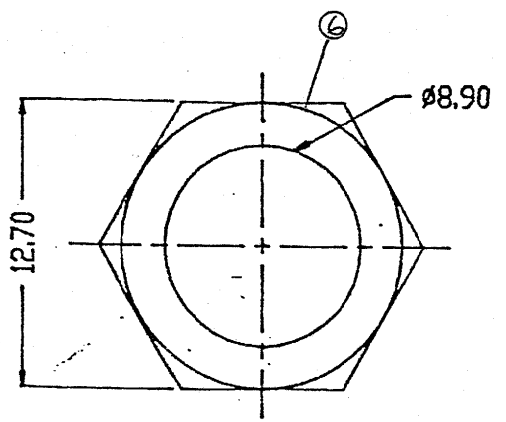
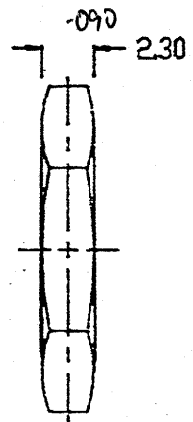
DRAWING NO. ISSUE A
 REF. DRGS. AY 20-311 JULY 91
 FIRST USE

NO	DESCRIPTION	MATERIAL	FINISH	QTY
6	NUT	BRASS	NICKEL	1
5	TAG	BRASS	NICKEL	1
4	WASHER	BRASS	NICKEL	1
3	INSULATION	TEFLON	NATURAL	1
2	CENTER CONTACT	BRASS	SILVER	1
1	BODY	BRASS	NICKEL	1



RELEASED FOR PRODUCTION
 AUTHORIZED: [Signature]
 DATE: 7/19/91

INTERFACE TO MEET MIL STD 348 A LIMITS



COPYRIGHT RESERVED: THIS DRAWING IS THE SOLE PROPERTY OF LINK CONNECTORS P/L AND IS RETURNABLE ON REQUEST, IS TO BE TREATED AS CONFIDENTIAL, IS NOT TO BE COMMUNICATED TO ANY OTHER PERSON WITHOUT THE WRITTEN CONSENT OF LINK CONNECTORS AND MAY BE USED FOR MANUFACTURE ONLY WHEN ACCOMPANIED BY A WRITTEN ORDER.