

REV.	DATE	DETAILS	INIT.	NAME	DATE	LINK CONNECTORS P/L A GORDON GROUP COMPANY	
A	7/16/91	RELEASED	[Signature]	DRAWN KWK	7/11/91	B.N.C. TEE ADAPTOR JACK / PLUG / JACK	
				CHECKED BWC	7-11-91		
				APPROVED		TITLE	
						MATERIAL NOTED	
				MASTER SAMPLE LOCATION		FINISH NOTED	
GENERAL TOLERANCE UNLESS OTHERWISE SPECIFIED: Two Fig Decimal $\pm 0.010^*$ Three Fig Decimal $\pm 0.005^*$ Angles ± 1 Degree						SCALE	1:1

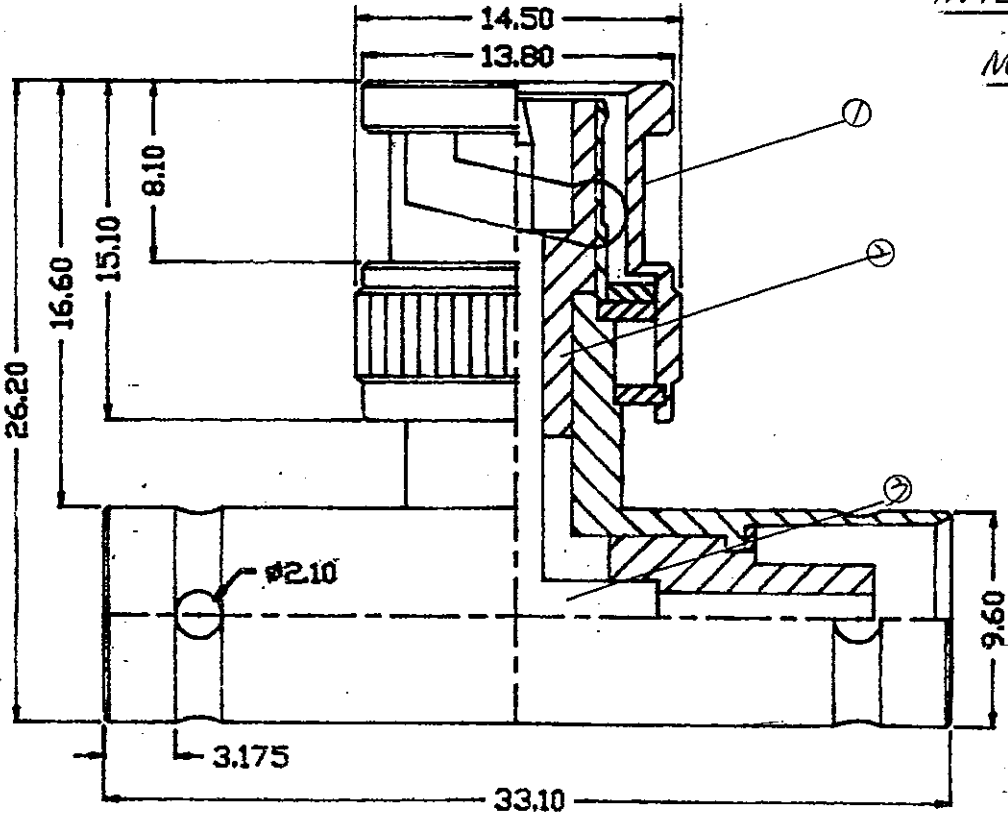
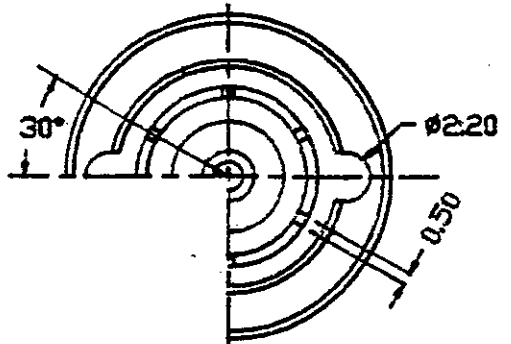
B10-014

DRAWING NO. ISSUE A

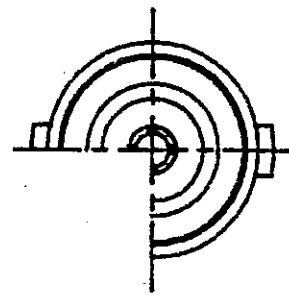
REF. DRGS. A14 20-320-1 JULY 91

FIRST USE

NO	DESCRIPTION	MATERIAL	FINISH	QTY
3	CONTACT	BRASS	GOLD	
3	INSULATOR	TEFLON		
1	BODY	BRASS	NICKEL	



INTERFACES TO MEET
MIL STD 318A
LIMITS



COPYRIGHT RESERVED:
 THIS DRAWING IS THE SOLE PROPERTY OF LINK CONNECTORS P/L AND IS RETURNABLE ON REQUEST. IS TO BE TREATED AS CONFIDENTIAL, IS NOT TO BE COMMUNICATED TO ANY OTHER PERSON WITHOUT THE WRITTEN CONSENT OF LINK CONNECTORS AND MAY BE USED FOR MANUFACTURE ONLY WHEN ACCOMPANIED BY A WRITTEN ORDER.