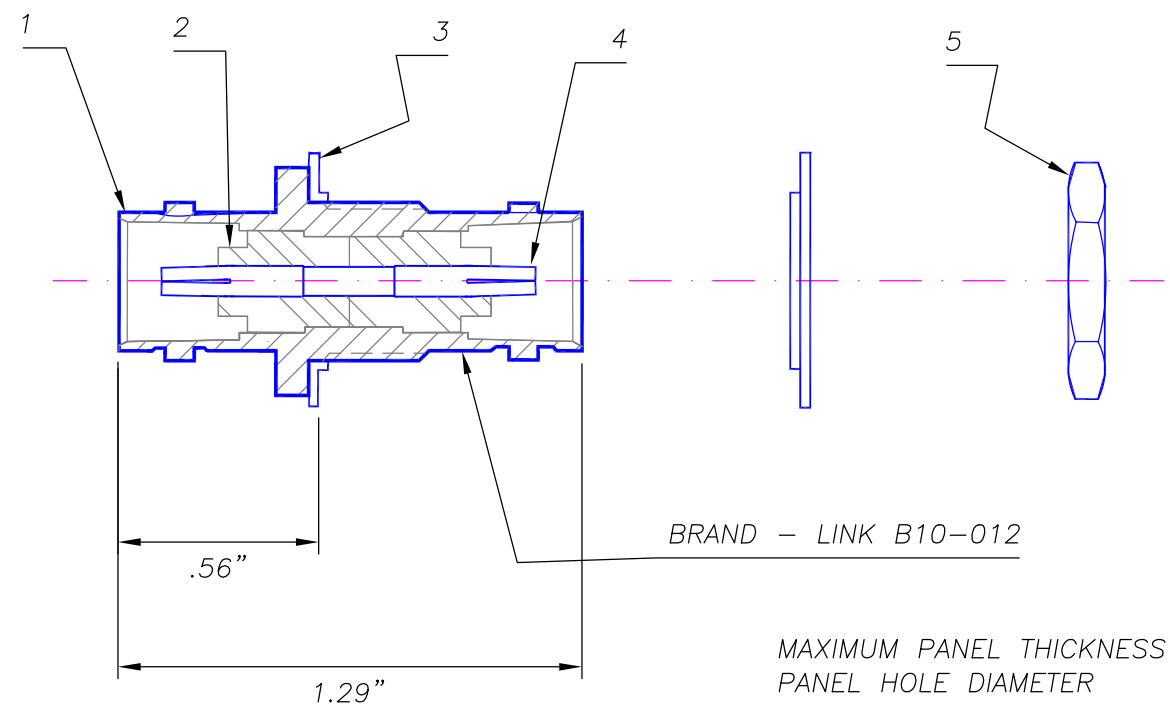


REV	DATE	REVISION DETAILS	INIT	IMPERIAL DIMENSIONS		LINK CONNECTORS Pty. Ltd.	A GORDON GROUP COMPANY
A	6.10.99	Released	kwk	NAME	DATE	TITLE	
B	25.9.00	Item #4 was #12368.		DRAWN	5/10/99	'BNC' Isolated Jack/Jack Adaptor - 75 ohm	
C	31.1.10	Item #4 12368-1 was BeCu.		APPR'VD	6.10.99	MATERIAL	NOTED
				Metre bar		FINISH	NOTED
TOLERANCE UNLESS OTHERWISE SPECIFIED: 2 fig decimal +/- .008" 3 fig decimal +/- .004" Angles +/- 1 deg							REF. DRGS. B90-080
							FIRST USE:
							SCALE 2:1

B10-012 C

ITEM	PART No.	DESCRIPTION	QTY	MATERIAL	FINISH
1	12638	BODY	1	BRASS	NICKEL PL.
2	12367-1	75 ohm INSULATOR	2	P.T.F.E.	NATURAL
3	12228	ISOLATION WASHER	2	NYLON	NATURAL
4	12368-1	CONTACT - Double ended	1	BRASS	GOLD
5	11012-2	LOCK NUT	1	BRASS	NICKEL PL.



MAXIMUM PANEL THICKNESS - .16" (4.0mm)
 PANEL HOLE DIAMETER - .500"/.505"

COPYRIGHT RESERVED: THIS DRAWING IS THE SOLE PROPERTY OF LINK CONNECTORS P/L & IS RETURNABLE ON REQUEST. IT IS TO BE TREATED AS CONFIDENTIAL, IS NOT TO BE COMMUNICATED TO ANY OTHER PERSON WITHOUT THE WRITTEN CONSENT OF LINK CONNECTORS & MAY BE USED FOR MANUFACTURE, ONLY WHEN ACCOMPANIED BY A WRITTEN ORDER.