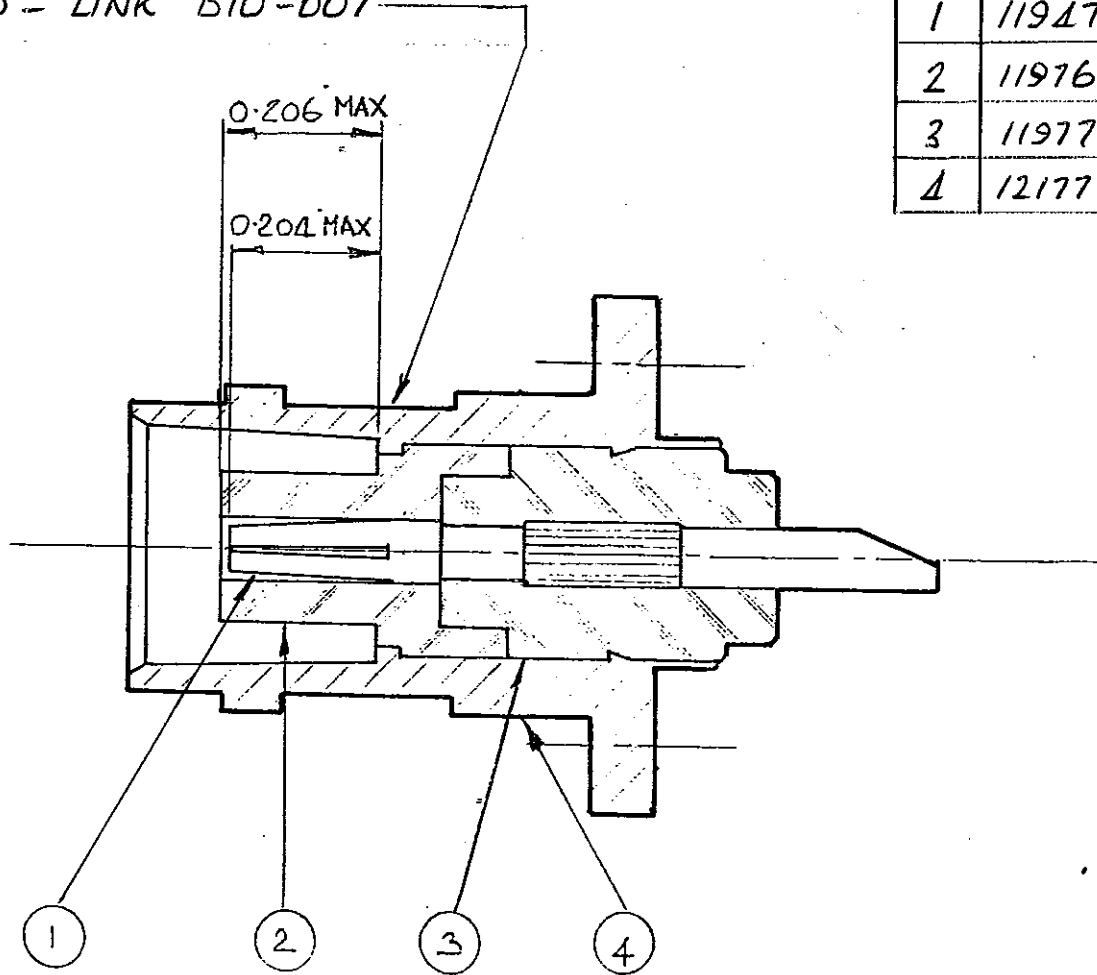


REV.	DATE	DETAILS	INIT.	NAME	DATE	LINK CONNECTORS P/L A GORDON GROUP COMPANY	
E	3/3/93	RELEASED/REDRAWN	<i>[Signature]</i>	DRAWN KWK	3-3-93	'BNC' FLANGE MOUNT JACK RECEPTACLE NO 1 MNTG FLANGE	
F	10/6/97	Back added - rivet eye Flange holes dia deleted.	<i>[Signature]</i>	CHECKED			
				APPROVED BWG	3/3/93	MATERIAL NOTED	
				MASTER SAMPLE LOCATION		FINISH NOTED	
GENERAL TOLERANCE UNLESS OTHERWISE SPECIFIED: Two Fig Decimal ± 0.010 * Three Fig Decimal ± 0.005 * Angles ± 1 Degree						SCALE	1:1 <input type="checkbox"/> 2:1 <input type="checkbox"/> 4:1 <input checked="" type="checkbox"/> 5:1 <input type="checkbox"/> 10:1 <input type="checkbox"/>

BIO-007

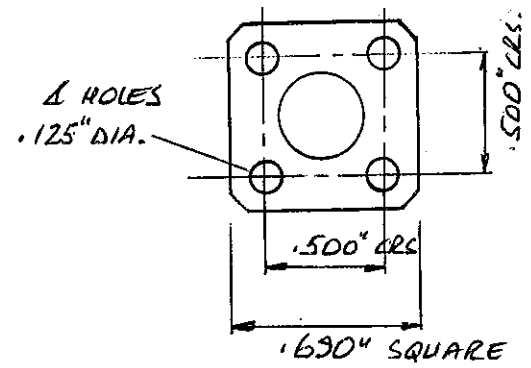
DRAWING NO. ISSUE F

BRAND - LINK BIO-007



KEY	PART NO	DESCRIPTION	QTY
1	11917	CAPTIVE CONTACT	1
2	11976	FRONT INSULATOR	1
3	11977	BACK INSULATOR	1
4	12177	BODY - FMJR	1

MOUNTING FLANGE NO 1



3rd ANGLE

COPYRIGHT RESERVED: THIS DRAWING IS THE SOLE PROPERTY OF LINK CONNECTORS P/L AND IS RETURNABLE ON REQUEST. IS TO BE TREATED AS CONFIDENTIAL, IS NOT TO BE COMMUNICATED TO ANY OTHER PERSON WITHOUT THE WRITTEN CONSENT OF LINK CONNECTORS AND MAY BE USED FOR MANUFACTURE ONLY WHEN ACCOMPANIED BY A WRITTEN ORDER.